

KOMPAKT cable gland

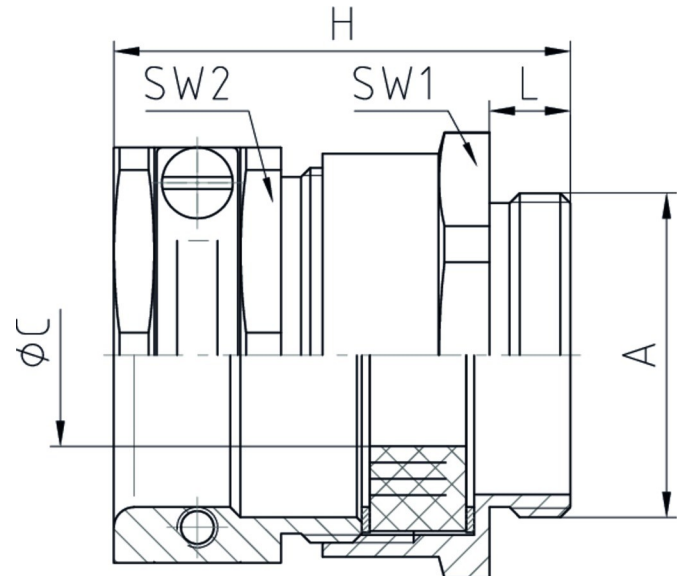
19.6xxMxx

Pressure screw	Brass CuZn39Pb3, nickel-plated
Strain relief clamp	Brass, nickel-plated
Bolts	Stainless steel
Washers	Steel, zinc-plated
Sealing ring	SBR/NBR, multiple perforation
Gland body	Brass CuZn39Pb3, nickel-plated
Connecting thread	metric, as per EN 60423




Properties

	<ul style="list-style-type: none"> increased anchorage
Temperature range (°C)	-30 +100
Protection grade	55



Features

Connecting thread standard length

A	ØC	L	SW1	SW2	H		Part No.
M12x1,5	4,5 - 8	6	17	17	31,5	100	19.609M12
M16x1,5	6,5 - 12	6	20	20	32	50	19.611M16
M20x1,5	6,5 - 12	6,5	22	22	33	50	19.611M20
M20x1,5	7,5 - 13	6,5	22	22	33,5	50	19.613M20
M20x1,5	8 - 15	7	27	24	35,5	50	19.616M20
M25x1,5	8 - 15	7	27	24	33,5	50	19.616M25
M25x1,5	11 - 19	7	30	30	40	50	19.621M25
M32x1,5	17 - 27	8	40	41	39	25	19.629M32
M40x1,5	17 - 28	8	43	41	45,5	25	19.629M40
M50x1,5	27 - 33	9	55	50	52	10	19.636M50
M50x1,5	34 - 39	9	57	57	55,5	5	19.642M50
M63x1,5	38 - 46	10	65	64	57	5	19.648M63

* Clamping range of anchorage