



BLR51-V

5 mm
2÷24
M2.5
PA66, UL 94V0
250V
18A
1,5 mm <sup>2</sup> 22÷16 AWG
-40°C + 105°C
0,4Nm (3,6 Lb in)
7 mm
8A-300V
GN(green)
BK (nero - black) / GY (grigio chiaro/light grey)



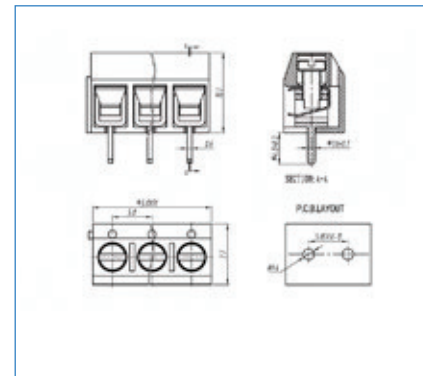
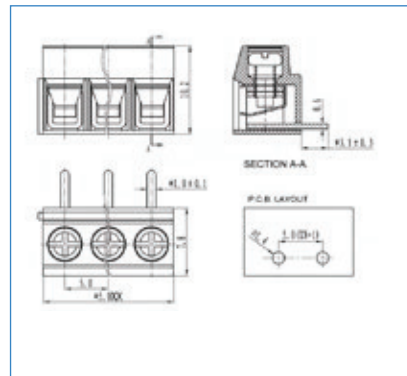
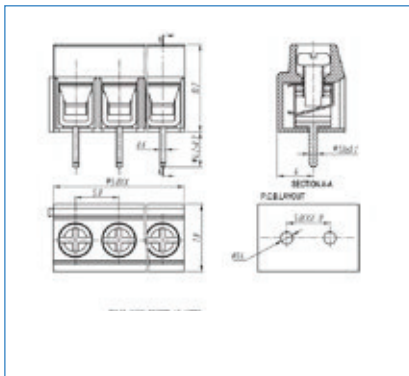
BLR51-H

5 mm
2÷24
M2.5
PA66, UL 94V0
250V
18A
1,5 mm <sup>2</sup> 22÷16 AWG
-40°C + 105°C
0,4Nm (3,6 Lb in)
7 mm
8A-300V
GN(green)
BK (nero - black) / GY (grigio chiaro/light grey)



BLR52-V

5 mm
2÷24
M2.5
PBT, UL 94V0
250V
17,5A
1,5 mm <sup>2</sup> 22÷16 AWG
-30°C + 120°C
0,4Nm (3,6 Lb in)
5 mm
8A-300V
GN(green)
BK (nero - black) / GY (grigio chiaro/light grey)



BLR512-5-V	BLR512-5-H	BLR522-5-V
BLR513-5-V	BLR513-5-H	BLR523-5-V
BLR514-5-V	BLR514-5-H	BLR524-5-V
BLR515-5-V	BLR515-5-H	BLR525-5-V
BLR516-5-V	BLR516-5-H	BLR526-5-V
BLR517-5-V	BLR517-5-H	BLR527-5-V
BLR518-5-V	BLR518-5-H	BLR528-5-V
BLR519-5-V	BLR519-5-H	BLR529-5-V
BLR5110-5-V	BLR5110-5-H	BLR5210-5-V
BLR5111-5-V	BLR5111-5-H	BLR5211-5-V
BLR5112-5-V	BLR5112-5-H	BLR5212-5-V
BLR5113-5-V	BLR5113-5-H	BLR5213-5-V
BLR5114-5-V	BLR5114-5-H	BLR5214-5-V
BLR5115-5-V	BLR5115-5-H	BLR5215-5-V
BLR5116-5-V	BLR5116-5-H	BLR5216-5-V
BLR5117-5-V	BLR5117-5-H	BLR5217-5-V
BLR5118-5-V	BLR5118-5-H	BLR5218-5-V
BLR5119-5-V	BLR5119-5-H	BLR5219-5-V
BLR5120-5-V	BLR5120-5-H	BLR5220-5-V
BLR5121-5-V	BLR5121-5-H	BLR5221-5-V
BLR5122-5-V	BLR5122-5-H	BLR5222-5-V
BLR5123-5-V	BLR5123-5-H	BLR5223-5-V
BLR5124-5-V	BLR5124-5-H	BLR5224-5-V