





DHUVELI SERIES

The perfect synergy between productive areas and office spaces

The fixture luminaire DHUVELI offers a sensible energy saving compared to equivalent lighting systems. This lamp guarantees an intense and natural light, suitable for applications in professional ambient, such as "open space". Thanks to the high performance of its light beam, DHUVELI is also an ideal product for offices, shops, etc.

Its extruded aluminum chassis guarantees optimal mechanical strength and efficient heat dissipation, which ensures a long lifetime.

Mechanical features

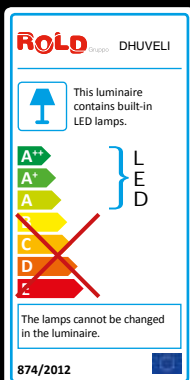
Chassis	Extruded Aluminum
Dissipator	Extruded Aluminum
Bracket	2 mm thick, in galvanized steel and painting polyester powder
Gasket	Silicon compliant with Led lighting
Glass	Tempered 4 mm
Optical Unit configurable	PMMA anti UV (PC anti UV optional) 3 dedicated optics
Compression cable glands	IP68
Protection against mechanical impacts	IK08 (5 J vandal-protected)
Protection Degree	IP65 (Dust penetration-protected, jet-proof)
Maintenance	Limited

Electrical features

Driver included - Failure rate	0.15% per 5.000 hr
Insulation class	I, III
Power supply	110-240V - 50/60 Hz
Power factor	>0.9 (fully loaded)
Colour	Grey RAL 7001, painting thermosetting polyester powder
Options of Energy Saving	Dimming driver, ROLD SmartPower (by power line)
Markings	CE mark, ENEC
Operating Temperature Range of the lighting device	From -35to +55°C
Operating Temperature Range of the Driver IP65/IP67	From -35 to +55°C
Luminous Source	Integrated Led module
Driver IP20	Plastic material / laminated aluminum

Risk Group 0 - exempt IEC/EN 62471

On request lamps with different CRI / Color temperature (K)





DHUVELI

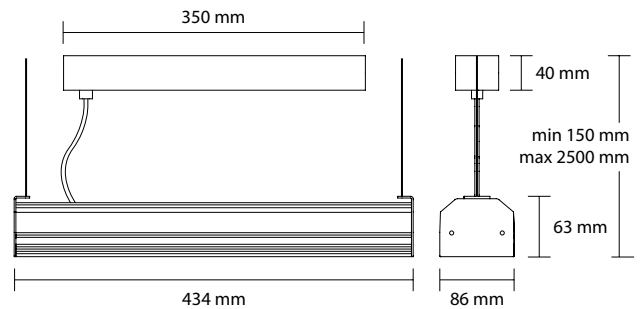
SUSPENSION



SUSPENSION

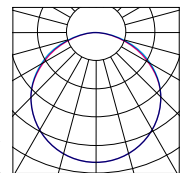


DHV 1MS RT



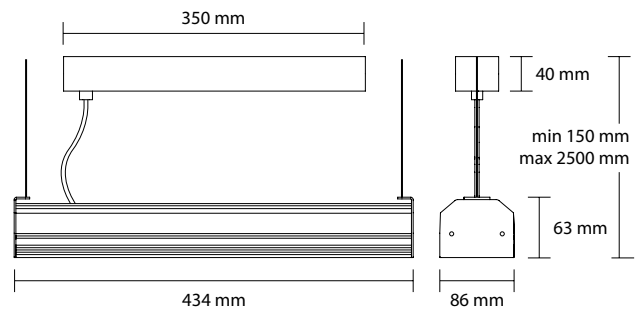
CODE	NUMBER OF LED	POWER W	FLUX Lm Tc = 25°C	COLOUR K	ELECTRICAL CURRENT mA	NET WEIGHT Kg	LED SOURCE	LIGHT EFFICIENCY lm/w	COLOUR RAL
DHV 1MS 00	15	6,5	885	4000	0,7	2,2	Nichia 3030	136	7001
DHV 1MS 01	30	10,7	1495	4000	0,7	2,2	Nichia 3030	140	7001
DHV 1MS 02	15	13,1	1670	4000	0,7	2,2	Nichia 3030	127	7001
DHV 1MS 03	30	21,2	2770	4000	0,7	2,2	Nichia 3030	131	7001

t = 40° C
 IEE = A++ / A
 EN 60598-1:2008 + A11:2009
 EN 60598-2-1:1989



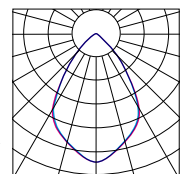
PHOTOMETRY

DHV 1MS ST



CODE	NUMBER OF LED	POWER W	FLUX Lm Tc = 25°C	COLOUR K	ELECTRICAL CURRENT mA	NET WEIGHT Kg	LED SOURCE	LIGHT EFFICIENCY lm/w	COLOUR RAL
DHV 1MS 04	15	6,5	885	4000	0,7	2,2	Nichia 3030	136	7001
DHV 1MS 05	30	10,7	1495	4000	0,7	2,2	Nichia 3030	140	7001
DHV 1MS 06	15	13,1	1670	4000	0,7	2,2	Nichia 3030	127	7001
DHV 1MS 07	30	21,2	2770	4000	0,7	2,2	Nichia 3030	131	7001

t = 40° C
 IEE = A++ / A
 EN 60598-1:2008 + A11:2009
 EN 60598-2-1:1989



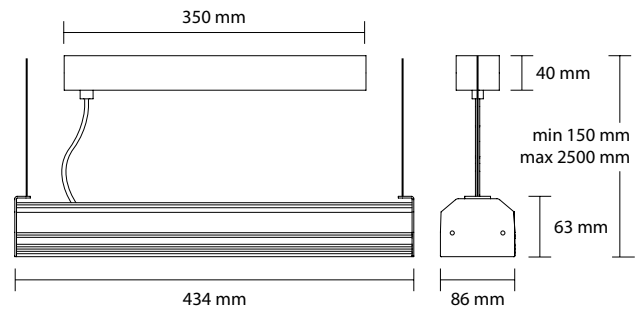
PHOTOMETRY

OPTIONAL COLOUR



SUSPENSION

DHV 1MS RSY

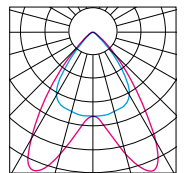


CODE	NUMBER OF LED	POWER W	FLUX Lm Tc = 25°C	COLOUR K	ELECTRICAL CURRENT mA	NET WEIGHT Kg	LED SOURCE	LIGHT EFFICIENCY lm/w	COLOUR RAL
DHV 1MS 08	15	6,5	885	4000	0,7	2,2	Nichia 3030	136	7001
DHV 1MS 09	30	10,7	1495	4000	0,7	2,2	Nichia 3030	140	7001
DHV 1MS 10	15	13,1	1670	4000	0,7	2,2	Nichia 3030	127	7001
DHV 1MS 11	30	21,2	2770	4000	0,7	2,2	Nichia 3030	131	7001

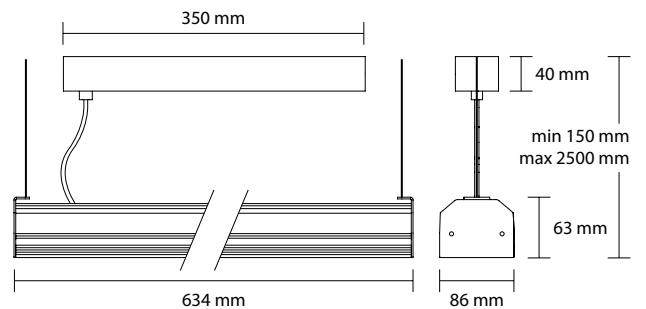
t = 40° C
 IEE = A++ / A
 EN 60598-1:2008 + A11:2009
 EN 60598-2-1:1989



PHOTOMETRY



DHV 2MS RT

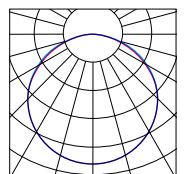


CODE	NUMBER OF LED	POWER W	FLUX Lm Tc = 25°C	COLOUR K	ELECTRICAL CURRENT mA	NET WEIGHT Kg	LED SOURCE	LIGHT EFFICIENCY lm/w	COLOUR RAL
DHV 2MS 00	30	13	1770	4000	0,7	3,5	Nichia 3030	136	7001
DHV 2MS 01	60	21,4	2990	4000	0,7	3,5	Nichia 3030	140	7001
DHV 2MS 02	30	26,1	3340	4000	0,7	3,5	Nichia 3030	128	7001
DHV 2MS 03	60	42,5	4635	4000	0,7	3,5	Nichia 3030	109	7001

t = 40° C
 IEE = A++ / A
 EN 60598-1:2008 + A11:2009
 EN 60598-2-1:1989



PHOTOMETRY



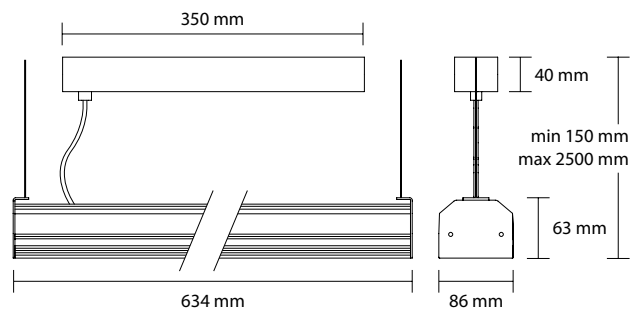
OPTIONAL COLOUR



SUSPENSION

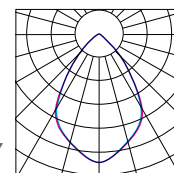


DHV 2MS ST



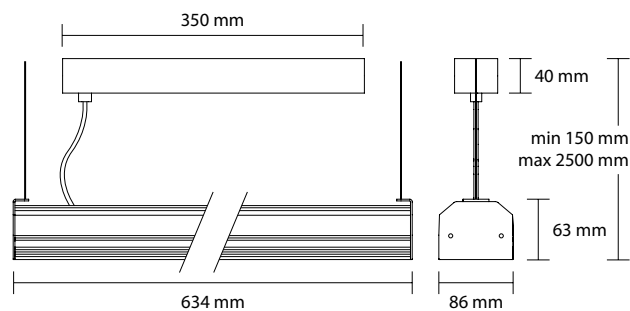
CODE	NUMBER OF LED	POWER W	FLUX Lm Tc = 25°C	COLOUR K	ELECTRICAL CURRENT mA	NET WEIGHT Kg	LED SOURCE	LIGHT EFFICIENCY lm/w	COLOUR RAL
DHV 2MS 04	30	13	1770	4000	0,7	3,5	Nichia 3030	136	7001
DHV 2MS 05	60	21,4	2990	4000	0,7	3,5	Nichia 3030	140	7001
DHV 2MS 06	30	26,1	3340	4000	0,7	3,5	Nichia 3030	128	7001
DHV 2MS 07	60	42,5	4635	4000	0,7	3,5	Nichia 3030	109	7001

t = 40° C
 IEE = A++ / A
 EN 60598-1:2008 + A11:2009
 EN 60598-2-1:1989



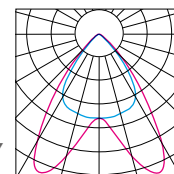
PHOTOMETRY

DHV 2MS RSY



CODE	NUMBER OF LED	POWER W	FLUX Lm Tc = 25°C	COLOUR K	ELECTRICAL CURRENT mA	NET WEIGHT Kg	LED SOURCE	LIGHT EFFICIENCY lm/w	COLOUR RAL
DHV 2MS 08	30	13	1770	4000	0,7	3,5	Nichia 3030	136	7001
DHV 2MS 09	60	21,4	2990	4000	0,7	3,5	Nichia 3030	140	7001
DHV 2MS 10	30	26,1	3340	4000	0,7	3,5	Nichia 3030	128	7001
DHV 2MS 11	60	42,5	4635	4000	0,7	3,5	Nichia 3030	109	7001

t = 40° C
 IEE = A++ / A
 EN 60598-1:2008 + A11:2009
 EN 60598-2-1:1989



PHOTOMETRY

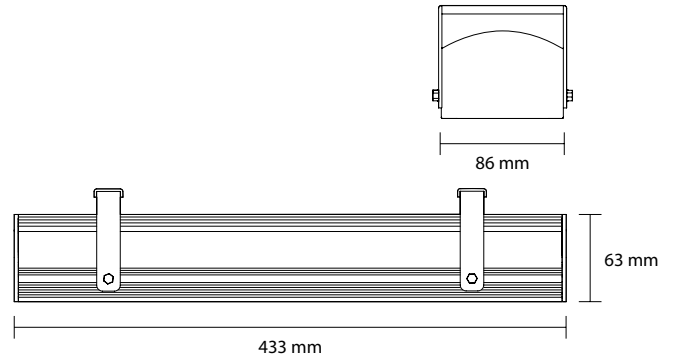
OPTIONAL COLOUR





SUSPENSION

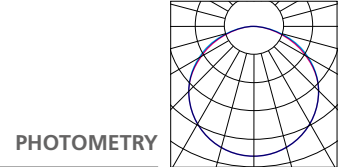
DHV 1MS RT24V



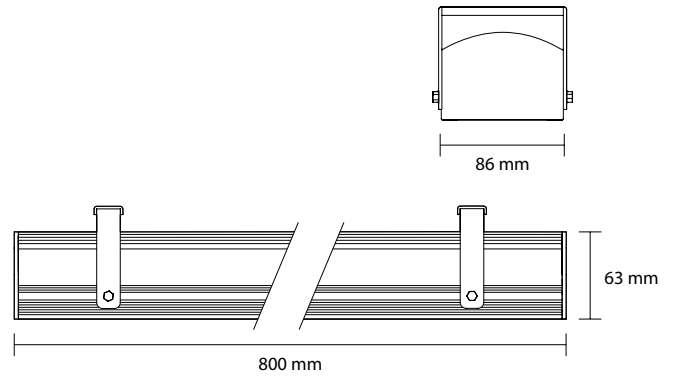
CODE	NUMBER OF LED	POWER W	FLUX Lm Tc = 25°C	COLOUR K	ELECTRICAL CURRENT mA	NET WEIGHT Kg	LED SOURCE	LIGHT EFFICIENCY lm/w	COLOUR RAL
DHV 1MS 00	84	28	1980	3000	24	2,1	Seoul 5630	71	7001
DHV 1MS 01	84	28	2200	4000	24	2,1	Seoul 5630	79	7001
DHV 1MS 02	84	28	2420	5000	24	2,1	Seoul 5630	86	7001

t= 40° C
IEE = A++ / A
EN 60598-1:2008 + A11:2009

EN 60598-2-1:1989
EN 62471:2008
EN 62493:2010



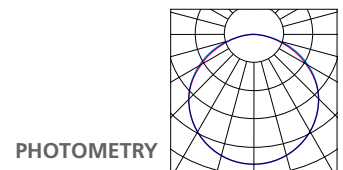
DHV 2MS RT24V



CODE	NUMBER OF LED	POWER W	FLUX Lm Tc = 25°C	COLOUR K	ELECTRICAL CURRENT mA	NET WEIGHT Kg	LED SOURCE	LIGHT EFFICIENCY lm/w	COLOUR RAL
DHV 2MS 00	168	56	1980	3000	24	3,9	Seoul 5630	35	7001
DHV 2MS 01	168	56	2200	4000	24	3,9	Seoul 5630	39	7001
DHV 2MS 02	168	56	2420	5000	24	3,9	Seoul 5630	43	7001

t= 40° C
IEE = A++ / A
EN 60598-1:2008 + A11:2009

EN 60598-2-1:1989
EN 62471:2008
EN 62493:2010



OPTIONAL COLOUR





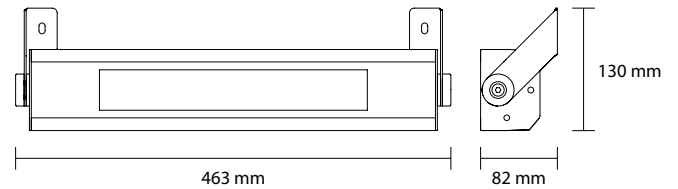
DHUVELI

WALL



WALL

DHV 1MW RT

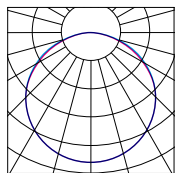


CODE	NUMBER OF LED	POWER W	FLUX Lm Tc = 25°C	COLOUR K	ELECTRICAL CURRENT mA	NET WEIGHT Kg	LED SOURCE	LIGHT EFFICIENCY lm/w	COLOUR RAL
DHV 1MW 00	15	6,5	885	4000	0,7	2,3	Nichia 3030	136	7001
DHV 1MW 01	30	10,7	1495	4000	0,7	2,3	Nichia 3030	140	7001
DHV 1MW 02	15	13,1	1670	4000	0,7	2,3	Nichia 3030	127	7001
DHV 1MW 03	30	21,2	2770	4000	0,7	2,3	Nichia 3030	131	7001

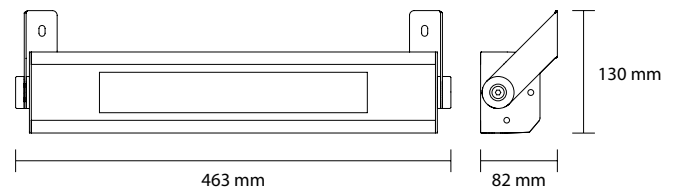
t = 40° C
 IEE = A++ / A
 EN 60598-1:2008 + A11:2009
 EN 60598-2-1:1989



PHOTOMETRY



DHV 1MW ST

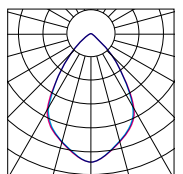


CODE	NUMBER OF LED	POWER W	FLUX Lm Tc = 25°C	COLOUR K	ELECTRICAL CURRENT mA	NET WEIGHT Kg	LED SOURCE	LIGHT EFFICIENCY lm/w	COLOUR RAL
DHV 1MW 04	15	6,5	885	4000	0,7	2,3	Nichia 3030	136	7001
DHV 1MW 05	30	10,7	1495	4000	0,7	2,3	Nichia 3030	140	7001
DHV 1MW 06	15	13,1	1670	4000	0,7	2,3	Nichia 3030	127	7001
DHV 1MW 07	30	21,2	2770	4000	0,7	2,3	Nichia 3030	131	7001

t = 40° C
 IEE = A++ / A
 EN 60598-1:2008 + A11:2009
 EN 60598-2-1:1989



PHOTOMETRY

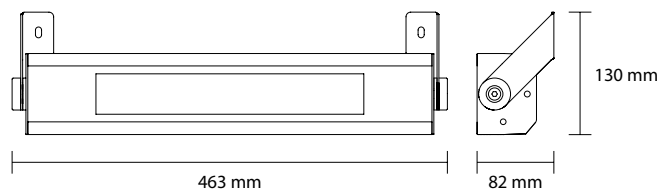


OPTIONAL COLOUR



WALL

DHV 1MW RSY

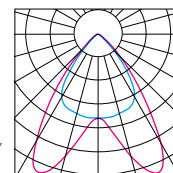


CODE	NUMBER OF LED	POWER W	FLUX Lm Tc = 25°C	COLOUR K	ELECTRICAL CURRENT mA	NET WEIGHT Kg	LED SOURCE	LIGHT EFFICIENCY lm/w	COLOUR RAL
DHV 1MW 08	15	6,5	885	4000	0,7	2,3	Nichia 3030	136	7001
DHV 1MW 09	30	10,7	1495	4000	0,7	2,3	Nichia 3030	140	7001
DHV 1MW 10	15	13,1	1670	4000	0,7	2,3	Nichia 3030	127	7001
DHV 1MW 11	30	21,2	2770	4000	0,7	2,3	Nichia 3030	131	7001

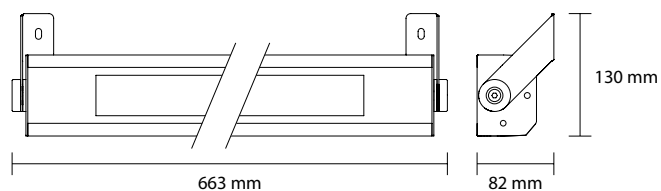
t = 40° C
 IEE = A++ / A
 EN 60598-1:2008 + A11:2009
 EN 60598-2-1:1989



PHOTOMETRY



DHV 2MW RT

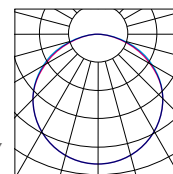


CODE	NUMBER OF LED	POWER W	FLUX Lm Tc = 25°C	COLOUR K	ELECTRICAL CURRENT mA	NET WEIGHT Kg	LED SOURCE	LIGHT EFFICIENCY lm/w	COLOUR RAL
DHV 2MW 00	30	13	1770	4000	0,7	3,7	Nichia 3030	136	7001
DHV 2MW 01	60	21,4	2990	4000	0,7	3,7	Nichia 3030	140	7001
DHV 2MW 02	30	26,1	3340	4000	0,7	3,7	Nichia 3030	128	7001
DHV 2MW 03	60	42,5	4635	4000	0,7	3,7	Nichia 3030	109	7001

t = 40° C
 IEE = A++ / A
 EN 60598-1:2008 + A11:2009
 EN 60598-2-1:1989



PHOTOMETRY

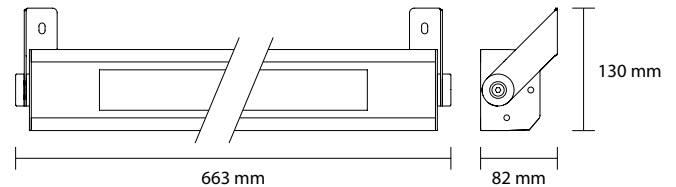


OPTIONAL COLOUR



WALL

DHV 2MW ST

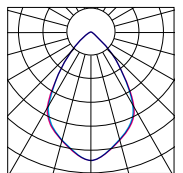


CODE	NUMBER OF LED	POWER W	FLUX Lm Tc = 25°C	COLOUR K	ELECTRICAL CURRENT mA	NET WEIGHT Kg	LED SOURCE	LIGHT EFFICIENCY lm/w	COLOUR RAL
DHV 2MW 04	30	13	1770	4000	0,7	3,7	Nichia 3030	136	7001
DHV 2MW 05	60	21,4	2990	4000	0,7	3,7	Nichia 3030	140	7001
DHV 2MW 06	30	26,1	3340	4000	0,7	3,7	Nichia 3030	128	7001
DHV 2MW 07	60	42,5	4635	4000	0,7	3,7	Nichia 3030	109	7001

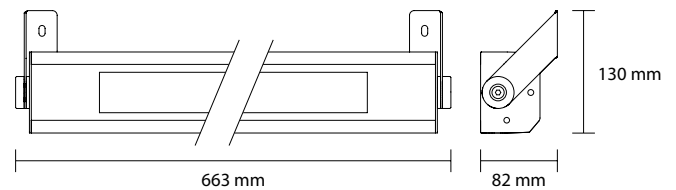
t = 40° C
 IEE = A++ / A
 EN 60598-1:2008 + A11:2009
 EN 60598-2-1:1989



PHOTOMETRY



DHV 2MW RSY

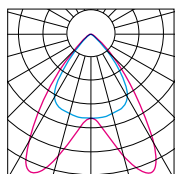


CODE	NUMBER OF LED	POWER W	FLUX Lm Tc = 25°C	COLOUR K	ELECTRICAL CURRENT mA	NET WEIGHT Kg	LED SOURCE	LIGHT EFFICIENCY lm/w	COLOUR RAL
DHV 2MW 08	30	13	1770	4000	0,7	3,7	Nichia 3030	136	7001
DHV 2MW 09	60	21,4	2990	4000	0,7	3,7	Nichia 3030	140	7001
DHV 2MW 10	30	26,1	3340	4000	0,7	3,7	Nichia 3030	128	7001
DHV 2MW 11	60	42,5	4635	4000	0,7	3,7	Nichia 3030	109	7001

t = 40° C
 IEE = A++ / A
 EN 60598-1:2008 + A11:2009
 EN 60598-2-1:1989



PHOTOMETRY



OPTIONAL COLOUR

