





KURIN SERIES

Elegance and versatility for interior design

Kurin is a decorative interior cylindrical lamp with a polyester powder coated aluminum chassis. It is suitable for residential spaces, for ceiling fixture installation in commercial areas and also in offices where it isn't possible or no desired to install recessed lamps.

Different colour rendering indexes and light flows, which characterize the lamp, make it versatile in different locations also in polished, innovative and designed sets maintaining high energy efficiency thanks to our high performance LED lighting sources.

Mechanical features

Chassis	Aluminum
Dissipator	Cast aluminum UNI ENI 1706 with fins
Gasket	Silicon compliant with Led lighting
Glass	Opal tempered 4 mm
Maintenance	Limited

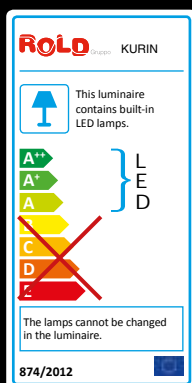
Electrical features

Driver included - Failure rate	0.15% per 5.000hr
Insulation class	I
Power supply	110÷270V - 50/60Hz.
Power factor	>0.9 (fully loaded).
Colour	White RAL 9003, painting termosetting polyester powder
Options of Energy Saving	Dimming driver, ROLD SmartPower (by power line)
Markings	CE mark
Operating Temperature Range of the lighting device	From -25 to +40°C
Operating Temperature Range of the Driver IP20	From -25 to +50°C
Luminous Source	COB technology
Driver IP20	Plastic material

Risk Group 0 - exempt IEC/EN 62471

On request lamps with different CRI / Color temperature (K)

Available with specific CRI/K for the agrifood industry





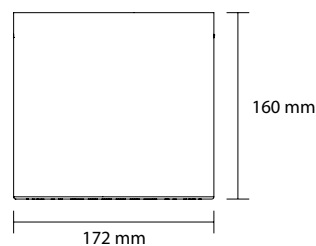
KURIN

CEILING



CEILING

KUR SC

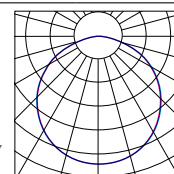


CODE	NUMBER OF LED	POWER W	FLUX Lm Tc = 25°C	COLOUR K	CRI	ELECTRICAL CURRENT mA	NET WEIGHT Kg	LED SOURCE	LIGHT EFFICIENCY lm/w	COLOUR RAL
KUR SC 00	1	18	2260	4000	> 90	0,5	2,3	Lumileds COB	126	9003
KUR SC 01	1	18	2090	3000	> 90	0,5	2,3	Lumileds COB	116	9005
KUR SC 02	1	25	3013	4000	> 90	0,7	2,3	Lumileds COB	120	9003
KUR SC 03	1	25	2786	3000	> 90	0,7	2,3	Lumileds COB	111	9005
KUR SC 04	1	32	3767	4000	> 90	0,9	2,3	Lumileds COB	116	9003
KUR SC 05	1	32	3483	3000	> 90	0,9	2,3	Lumileds COB	108	9005

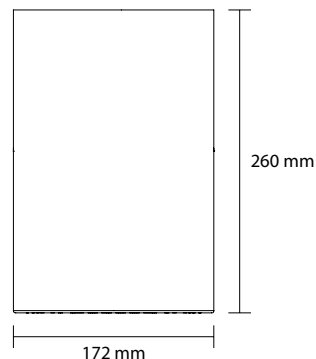
t = 40° C
IEE = A++ / A
EN 60598-1:2015

IP40 CE

PHOTOMETRY



KUR LC

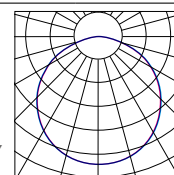


CODE	NUMBER OF LED	POWER W	FLUX Lm Tc = 25°C	COLOUR K	CRI	ELECTRICAL CURRENT mA	NET WEIGHT Kg	LED SOURCE	LIGHT EFFICIENCY lm/w	COLOUR RAL
KUR LC 00	1	18	2260	4000	> 90	0,5	2,6	Lumileds COB	126	9003
KUR LC 01	1	18	2090	3000	> 90	0,5	2,6	Lumileds COB	116	9005
KUR LC 02	1	25	3013	4000	> 90	0,7	2,6	Lumileds COB	120	9003
KUR LC 03	1	25	2786	3000	> 90	0,7	2,6	Lumileds COB	111	9005
KUR LC 04	1	32	3767	4000	> 90	0,9	2,6	Lumileds COB	116	9003
KUR LC 05	1	32	3483	3000	> 90	0,9	2,6	Lumileds COB	108	9005

t = 40° C
IEE = A++ / A
EN 60598-1:2015

IP40 CE

PHOTOMETRY



OPTIONAL COLOUR

WHITE RAL 9003
 BLACK RAL 9005
 GREY RAL 7001



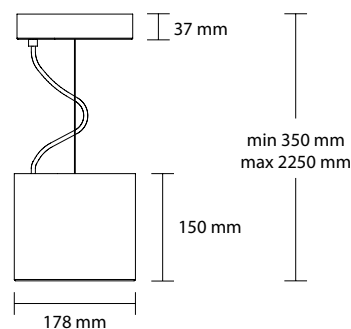
KURIN

SUSPENSION

SUSPENSION



KUR SS

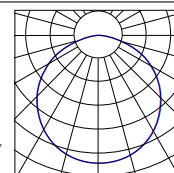


CODE	NUMBER OF LED	POWER W	FLUX Lm Tc = 25°C	COLOUR K	CRI	ELECTRICAL CURRENT mA	NET WEIGHT Kg	LED SOURCE	LIGHT EFFICIENCY lm/w	COLOUR RAL
KUR SS 00	1	18	2260	4000	> 90	0,5	2,8	Lumileds COB	126	9003
KUR SS 01	1	18	2090	3000	> 90	0,5	2,8	Lumileds COB	116	9005
KUR SS 02	1	25	3013	4000	> 90	0,7	2,8	Lumileds COB	120	9003
KUR SS 03	1	25	2786	3000	> 90	0,7	2,8	Lumileds COB	111	9005
KUR SS 04	1	32	3767	4000	> 90	0,9	2,8	Lumileds COB	116	9003
KUR SS 05	1	32	3483	3000	> 90	0,9	2,8	Lumileds COB	108	9005

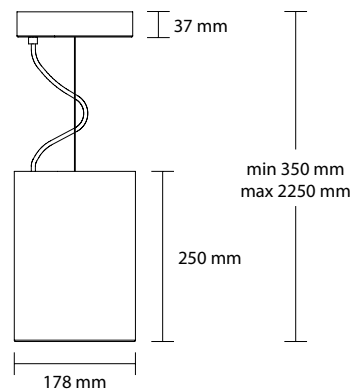
t = 40° C
IEE = A++ / A
EN 60598-1:2015

IP40 CE

PHOTOMETRY



KUR SL

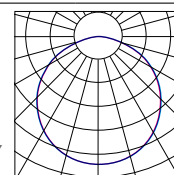


CODE	NUMBER OF LED	POWER W	FLUX Lm Tc = 25°C	COLOUR K	CRI	ELECTRICAL CURRENT mA	NET WEIGHT Kg	LED SOURCE	LIGHT EFFICIENCY lm/w	COLOUR RAL
KUR SL 00	1	18	2260	4000	> 90	0,5	2,9	Lumileds COB	126	9003
KUR SL 01	1	18	2090	3000	> 90	0,5	2,9	Lumileds COB	116	9005
KUR SL 02	1	25	3013	4000	> 90	0,7	2,9	Lumileds COB	120	9003
KUR SL 03	1	25	2786	3000	> 90	0,7	2,9	Lumileds COB	111	9005
KUR SL 04	1	32	3767	4000	> 90	0,9	2,9	Lumileds COB	116	9003
KUR SL 05	1	32	3483	3000	> 90	0,9	2,9	Lumileds COB	108	9005

t = 40° C
IEE = A++ / A
EN 60598-1:2015

IP40 CE

PHOTOMETRY



OPTIONAL COLOUR

WHITE RAL 9003 BLACK RAL 9005 GREY RAL 7001