

## Pressure switches | SXM3



### SXM3 Series

- o Ambient temperature: 85 °C
- o Temperature of pressure medium: 85 °C
- o Pressure connections: Inlet 4.0 or 5.5 mm (up to 500 mbar) Threaded inlet M10 x 1 mm 1/4" Gas 1/8" Gas
- o Max. working pressure: 3000 mbar
- o Switch hysteresis: between 10% and 30% depending on calibration and type of microswitch
- o Pressure medium: Pressure: Non hazardous gases - Liquids Vacuum: Non hazardous gases
- o Fixing methods: Plastic clips (version with inlet only) Threaded inlet
- o Other features: The electrical unit consists in a standard microswitch. Therefore it is possible to use these type not only for transmission of electrical signals but also for direct switching of high resistive loads

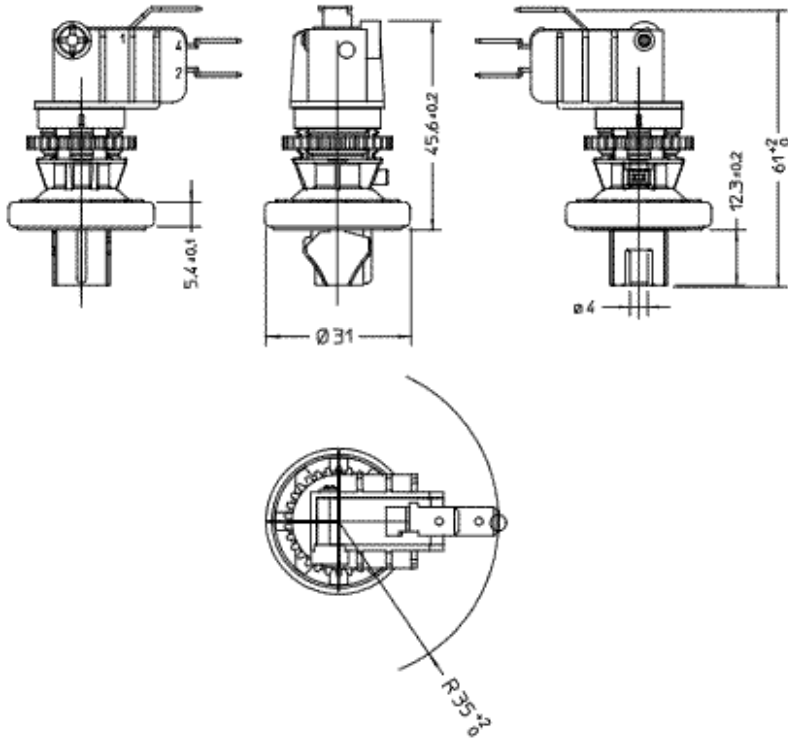
### Approvals



### Electrical Characteristics

Electrical function	Switch rating	Pressure range pressure	Pressure range vacuum
1 pole normally opened	16 (4) A 250 V ~ 5E4	+30 to +2500 mbar +/- 10%	-800 to -30 mbar +/- 15%
1 pole normally closed	10 (3) A 250 V ~ 5E4		
1 pole change over	3 (1) A 250 V ~ 5E4		

### Dimensions (mm)



Stampa scheda