



Pressure switches | SXP1

SXP1 Series



- Ambient temperature: 85 °C
- Temperature of pressure medium: 85 °C
- Pressure connections: Inlet 4.0 mm for tube connection
- Max. working pressure: 1000 mbar
- Switch hysteresis: Nearly absent
- Pressure medium: Air or non hazardous gases only
- Fixing methods: Soldering on PBC / leads on request
- Other features: Well suited for detection of dynamic pressure (or vacuum) levels, while some precautions are recommended for applications in which static vacuum or pressure has to be maintained.

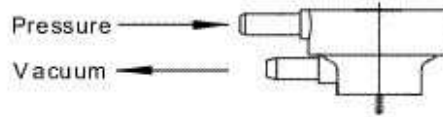
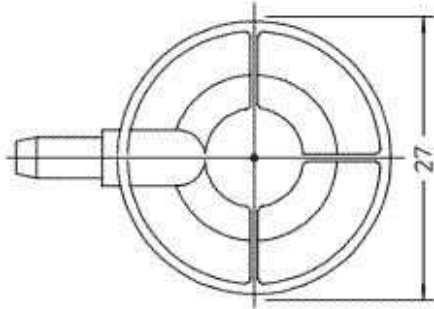
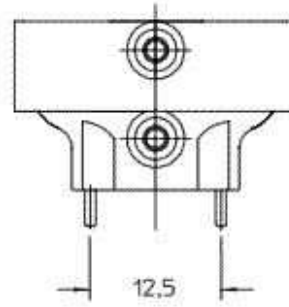
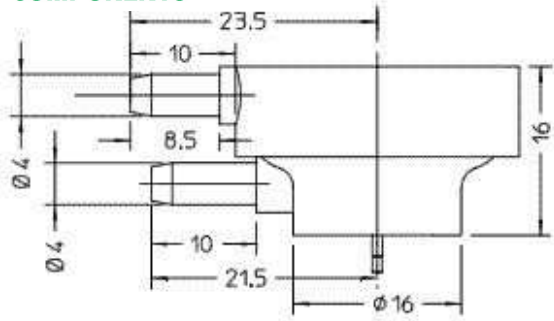
Approvals



Electrical Characteristics

Electrical function	Switch rating	Pressure range pressure	Pressure range vacuum
1 pole normally opened	250 mA 250 V ~ 1E4 20 mA 250 V ~ 5E4 250 mA 125/250 VAC UL/CSA	+15 to +800 mbar 15-20 mbar: +/- 25% 21-25 mbar: +/- 15%	-800 to -15 mbar 25-800 mbar: +/- 10%

Dimensions (mm)



Stampa scheda