



Rocker switches



TECNO Series


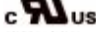

Square cut out - 19X13
ENEC electrical rating up to 10A

- UL rating: 15A
- Two-coloured push-button available
- 100A in-rush water splash proof body
- Applications: hobby and work

Products

Customising on demand

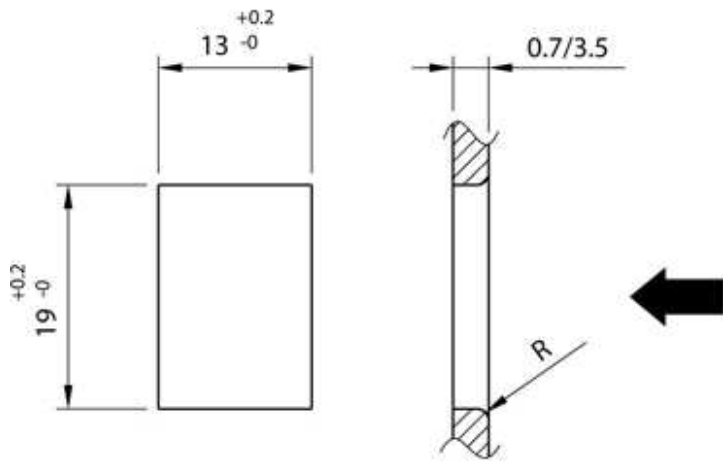
Electrical features

ENEC electrical rating up to	10A
Electro-mechanical cycles number up to	50.000
Room temperature up to	120 °C
Flammability	UL 94 V2
Heat and fire resistance	GWFI 850 °C GWIT 750 °C on demand
Contact gap	≥ 3 mm
Approvals available (to check according to the rating of each single material code)	  
Reference standards	EN 61058 UL 1054

Wiring diagrams

- Normally closed single-pole momentary switch
- Normally opened single-pole momentary switch
- Single-pole switch

Cut out (mm)



Stampa scheda