




# >> PA244 S

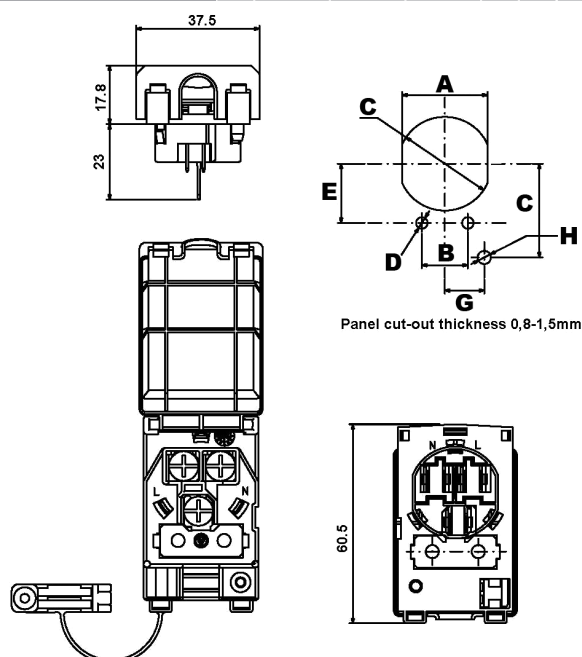
## Terminal box



## Technical data

	A	B	C	D	E	F	G	H
<b>Dimensions</b> mm (inches)	26 (1.02")	14 (0.55")	∅ 28.5 (1.12")	∅ 3.5 (0.13")	18 (0.70")	28.5 (1.12")	12 (0.47")	∅ 4 (0.15")
	<b>IEC STANDARDS</b>				<b>AMERICAN STANDARDS</b>			
<b>Ratings</b>	250V - 16A				300V - 16A			
<b>Wire size</b>	0.75 ÷ 2.5 sqmm				14 ÷ 20 AWG (12 lb/in)			
<b>Working Temperature</b>	- 5 ÷ 125°C (short time 155°C)				23 ÷ 221°F			
<b>Plastic Material</b>	Polyamide, UL 94 V2, GWIT 775°C, GWFI 850°C							
<b>Metal parts</b>	M4 (1.2Nm) zinc plated steel screw; 6.3 x 0.8 zinc plated steel tab insert; other parts made in zinc plated steel							
<b>Cable Clamp Screw for plastic use</b>	3.5 x 12 mm (0.13" x 0.47") - 0.8Nm - P.N. 910188							
<b>Approvals</b>	<b>File Nr.</b>	<b>Ratings (sqmm/AWG - V - A - T)</b>			<b>Standard References</b>			
	CA02.02979	2.5 sqmm - 250V - 16A - 125°C			EN 60998-1: EN 60998-2-1; EN 61210			
	40020904	2.5 sqmm - 250V - 16A - 125°C			EN 60335-1 (VDE0700); EN 60998-1, EN 60998-2-1; EN 61210 (VDE 0613)			
	E225540 vol. 1 sec.1	14 ÷ 20 AWG - 300V - 16A - 105°C			UL 1059; C22-2 N.182.3 - M1987			

## Dimensional drawing



Before the panel-cut's construction, please you contact the R&D department for the tollerances.

