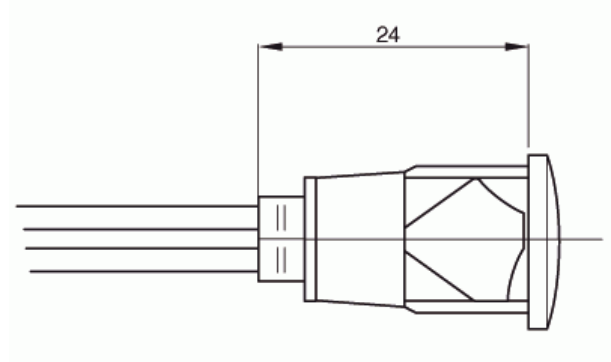


Ø 13mm

TB/013/SFY



Self locking light indicator.
The short case allows a smaller encumbrance.

Working voltage	6V ; 12V ; 24V ; 48V ; 110V ; 250V ; 400V
Max temperature	90°C ; 120°C ; 150°C
Hole diameter	13mm +0,25-0
Panel thickness	from 0,8mm to 2mm
Way of locking on the panel	self locking
Lamp type	incandescent lamp ; neon/fluorescent lamp ; LED lamp lamp
Connection way	pvc cable ; silicon cable ; silicon-glass cable
Wire ends	on request
Lens type	suitable for a 13mm hole (lens type: SFY)
Lens – case connection	fixed
Approvals	UL/CSA - CE