



ROLD Gruppo

LED PRODUCTS 2015

Roldlighting





ROLD Lighting is the **ROLD Group** business unit dedicated to the illuminating engineering that capitalizes the Group consolidate experience, solidity and reliability, gained through **over fifty years of international presence** in home appliances parts & components manufacturing, with specialized and high level electrotechnics and electronics skills.

In the last years the Group decided to extend its offer to LED Lighting trade starting up with a new range of lighting products, a range of **high efficiency lamps that use LEDs as lighting source: effectively, energy saving with LEDs reaches 80%** compared to the traditional incandescent or linear fluorescent lighting sources.

ROLD Group has also developed a **new “management & monitoring embedded” system**, which can be perfectly integrated with lamps (on request): taking advantage of the traditional and common power line for data transmission, it allows a real time using control on the single lamp or groups of them.

The ‘integrated intelligence’ allows not only to verify in real time the lamps energy costs (watt consumption and economics), but also enable a controlled and managed ‘smart use’ through the creation of usage scenarios modeled according to the specific application of the lamp and the context of the implementation.

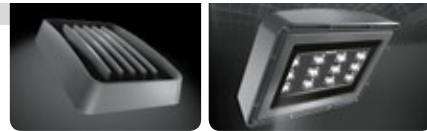
All this with the data transmission via power line!

Roldlighting



NIKA

The polyhedral LED lamp, versatile and modular



page 4

MADHIRI

The ideal for industrial and professional environments



page 6

DHUVELI

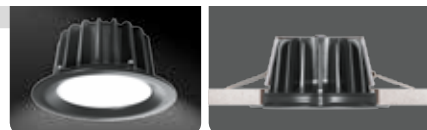
The illumination that looks for future



page 8

THILA

Multifaceted, suitable for indoor and outdoor sets



page 10

KURIN

Elegance for interior design



page 12

THEYRA

LED Ceiling light for false ceilings office and retail space



page 14



On request, all our LED lamps are dimmerable and can be integrated with "Smart Power", our management and monitoring system that uses power line for data transmission to control energy cost (consumption and costs) and to manage scenes and applications.

Smart Power

For more info:
info@rold.com
roldlighting.rold.com



50°



115°



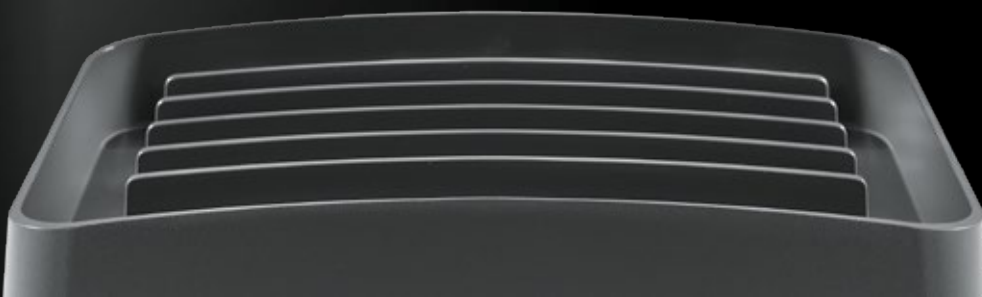
Asymmetric



NIKA

LED lamp versatile and modular

LED floodlight in die-cast aluminum modular replacement of different modules for industrial equipment with large luminous flux. The body with a modern and minimalist design has been studied to obtain a good heat dissipation allowing the LED module greater durability and a perfect performance during its use. The structure is compact and designed for use in places with harsh environments. The glass is tempered with 4 mm thickness to ensure greater safety in every possible use. The product is already predisposed to anticondensation valve. Its modularity allows the realization and the assembly of various forms and at the same time to vary the light fluxes from 11.000 lm up to 44.000 lm. In addition, thanks of various optics support you can get the direction of the light beam according to your needs. The versatility of this product includes several attacks of fixing: suspended ceiling, wall or pole.

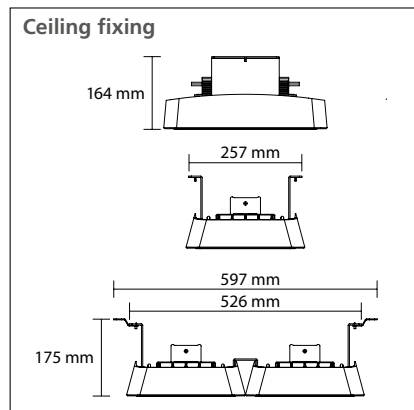
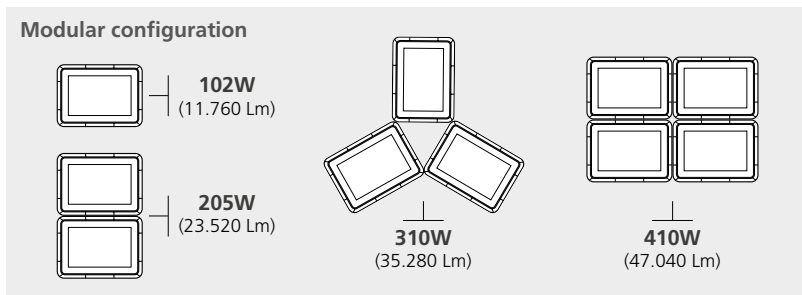
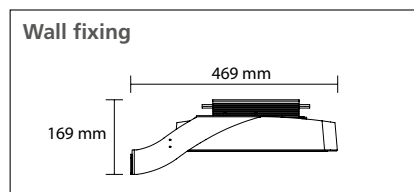
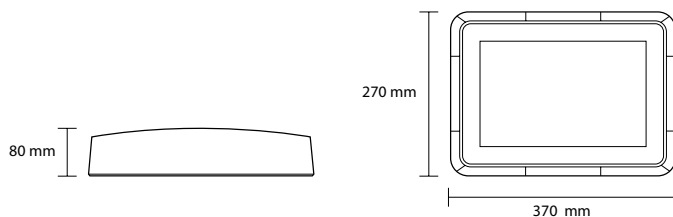


Key features	
Installation	Indoor, Outdoor
Working Ambient Temperature	-30°C +50°C
Body Material	Cast aluminum
Protection Degree	IP66
Colour	Anthracite gray - Sand gray - Black - White
Diffuser Material	Borosilicate mechanically hardened glass
Dimension	370 x 270 x 80 mm
Weight	4,5 Kg
LED Type	Philips Lumiled Luxeon M
Opening of luminous flux	50° - 115° - Asymmetric
Driver	Included

IK08 IP66 CE

Opening of luminous flux	Power*	Voltage	Colour Temperature**	Light Output	CRI	Life Time
50°	102 W	230 V	5000 °K	11760 lm	≥ 70 Ra	65000 h (L70)
115°	102 W	230 V	5000 °K	11760 lm	≥ 70 Ra	65000 h (L70)
Asymmetric	102 W	230 V	5000 °K	11760 lm	≥ 70 Ra	65000 h (L70)

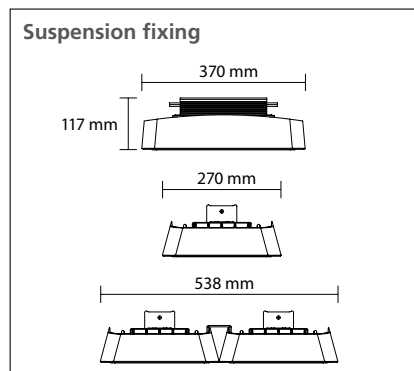
*Nominal values-calculation reported to LED module. ** On request lamps with different colour temperature.



Photometric

Cone diagram (Lux)			Cone diagram (Lux)		
Mounting Height (m)	Beam Cone Width (m)	Projected Illuminance (Lux)	Mounting Height (m)	Orthogonal Beam Cone Width (m)	Projected Illuminance (Lux)
0,5	0,48	48170	0,5	0,47	101298,3
1	0,96	12043	1	0,94	25324,6
2	1,92	3011	2	1,87	6331,1
3	2,88	1338	3	2,81	2813,8
4	3,84	753	4	3,75	1582,8
5	4,80	482	5	4,68	1013,0
6	5,76	335	6	5,62	703,5
8	6,67	188	8	7,50	395,7
10	9,59	120	10	9,37	253,2
20	19,19	30	20	18,74	63,3

Cone diagrams are from single and double module Nika, for other colour temperature diagrams, please contact info@rold.com.





MADHIRI

The illumination that looks for future

The lamp MADHIRI has been designed to satisfy the lighting demands in industrial applications. It offers a sensible energy saving compared to equivalent lighting systems. This lamp guarantees an intense and natural light, suitable for applications in professional environment, such as "open space".

Its extruded aluminum chassis guarantees optimal mechanical strength and efficient heat dissipation, which ensures a long life time.

MADHIRI small

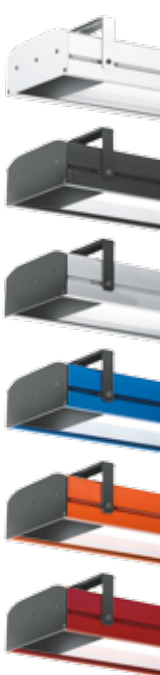


MADHIRI medium



MADHIRI large





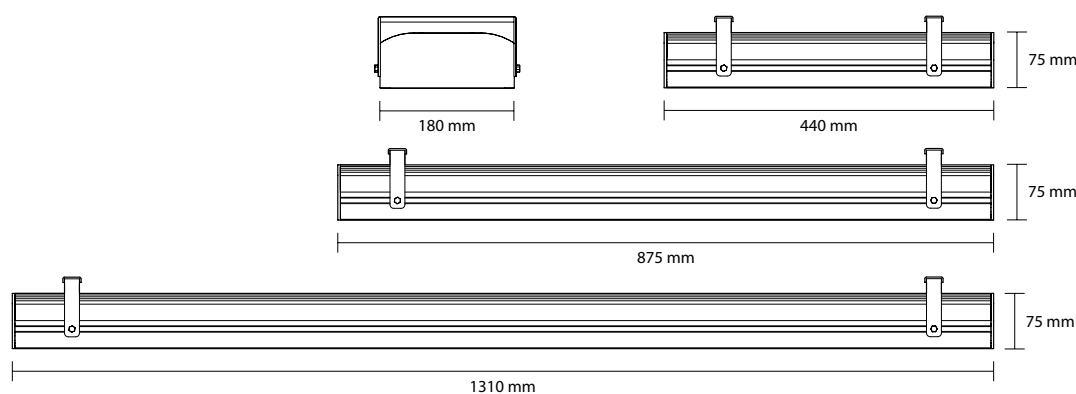
Key features	
Installation	Internal with mounting kit
Type	Suspension, wall and standard fixing system
Working Ambient Temperature	-20°C +40°C
Body Material	Anodized aluminum 6060
Colour	Natural Aluminum (standard) - 6 colours available
Protection Degree	IP 65
Diffuser Material	Borosilicate mechanically hardened glass
Opening of luminous flux	110°
Driver	Included
Weight	S 5,5 Kg - M 10,5 Kg - L 15,5 Kg

△ IP65 CE

Dimension	Power*	Voltage	Colour Temperature	Light Output	CRI**	Life Time
440 x 180 x 75 mm	50 W	230 V	3000 °K	4000 lm	≥ 80 Ra	65000 h (L70)
440 x 180 x 75 mm	50 W	230 V	4000 °K	4800 lm	≥ 80 Ra	65000 h (L70)
440 x 180 x 75 mm	50 W	230 V	5000 °K	5200 lm	≥ 80 Ra	65000 h (L70)
875 x 180 x 75 mm	100 W	230 V	3000 °K	8000 lm	≥ 80 Ra	65000 h (L70)
875 x 180 x 75 mm	100 W	230 V	4000 °K	9600 lm	≥ 80 Ra	65000 h (L70)
875 x 180 x 75 mm	100 W	230 V	5000 °K	10400 lm	≥ 80 Ra	65000 h (L70)
1310 x 180 x 75 mm	150 W	230 V	3000 °K	12000 lm	≥ 80 Ra	65000 h (L70)
1310 x 180 x 75 mm	150 W	230 V	4000 °K	14400 lm	≥ 80 Ra	65000 h (L70)
1310 x 180 x 75 mm	150 W	230 V	5000 °K	15600 lm	≥ 80 Ra	65000 h (L70)

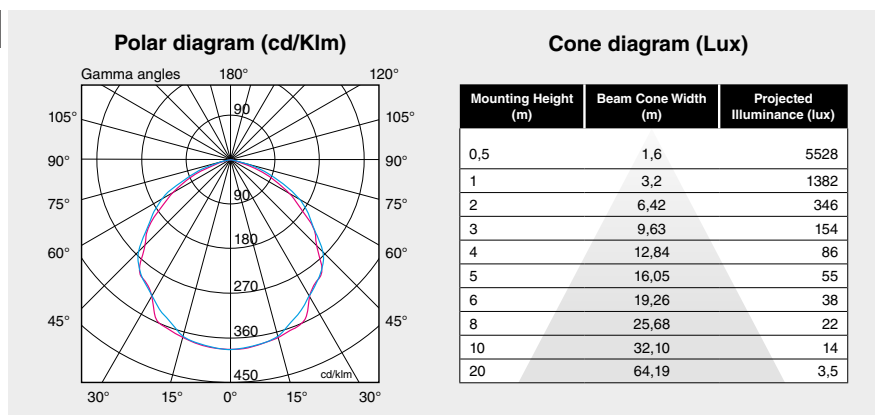
*Nominal values-calculation reported to LED module. ** On request lamps with different CRI.

- Colours**
- White
 - Black
 - Silver
 - Blue
 - Orange
 - Red



Photometric

Diagrams are from Madhiri small 4000°K, for other colour temperature diagrams, please contact info@rold.com.





DHUVELI

The illumination that looks for future

The lamp DHUVELI offers a sensible energy saving compared to equivalent lighting systems. This lamp guarantees an intense and natural light, suitable for applications in professional ambient, such as "open space". Thanks to the high performance of its light beam, DHUVELI is also an ideal product for offices, shops, etc.

Its extruded aluminum chassis guarantees optimal mechanical strength and efficient heat dissipation, which ensures a long lifetime.

DHUVELI small



DHUVELI medium



DHUVELI large



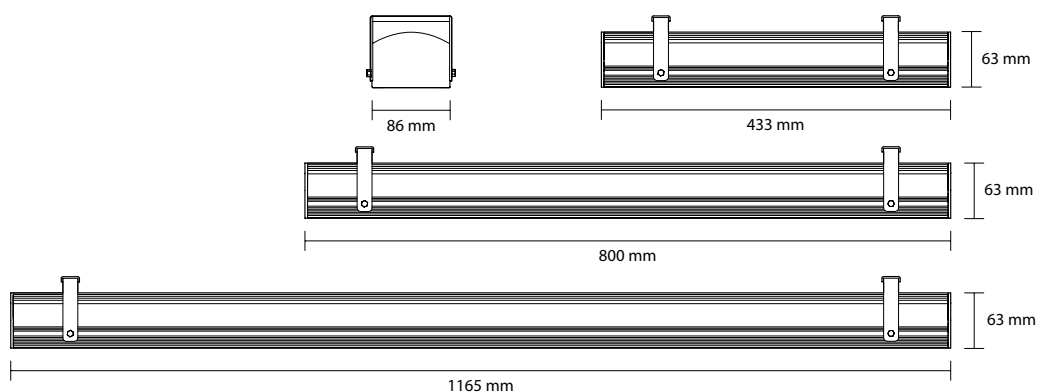
Key features	
Installation	Internal with mounting kit
Type	Suspension, wall and standard fixing system
Working Ambient Temperature	-20°C +40°C
Body Material	Anodized aluminum 6060
Colour	Natural aluminum (standard) - 6 colours available
Protection Degree	IP 65
Diffuser Material	Borosilicate mechanically hardened glass
Opening of luminous flux	110°
Driver	Not included
Weight	S 2,08 Kg - M 3,96 Kg - L 5,84 Kg



Dimension	Power*	Voltage	Colour Temperature	Light Output	CRI**	Life Time
433 x 86 x 63 mm	28 W	24 V (DC)	3000 °K	1980 lm	≥ 80 Ra	65000 h (L70)
433 x 86 x 63 mm	28 W	24 V (DC)	4000 °K	2200 lm	≥ 80 Ra	65000 h (L70)
433 x 86 x 63 mm	28 W	24 V (DC)	5000 °K	2420 lm	≥ 80 Ra	65000 h (L70)
800 x 86 x 63 mm	56 W	24 V (DC)	3000 °K	3670 lm	≥ 80 Ra	65000 h (L70)
800 x 86 x 63 mm	56 W	24 V (DC)	4000 °K	4070 lm	≥ 80 Ra	65000 h (L70)
800 x 86 x 63 mm	56 W	24 V (DC)	5000 °K	4500 lm	≥ 80 Ra	65000 h (L70)
1165 x 86 x 63 mm	86 W	24 V (DC)	3000 °K	5940 lm	≥ 80 Ra	65000 h (L70)
1165 x 86 x 63 mm	86 W	24 V (DC)	4000 °K	6610 lm	≥ 80 Ra	65000 h (L70)
1165 x 86 x 63 mm	86 W	24 V (DC)	5000 °K	7270 lm	≥ 80 Ra	65000 h (L70)

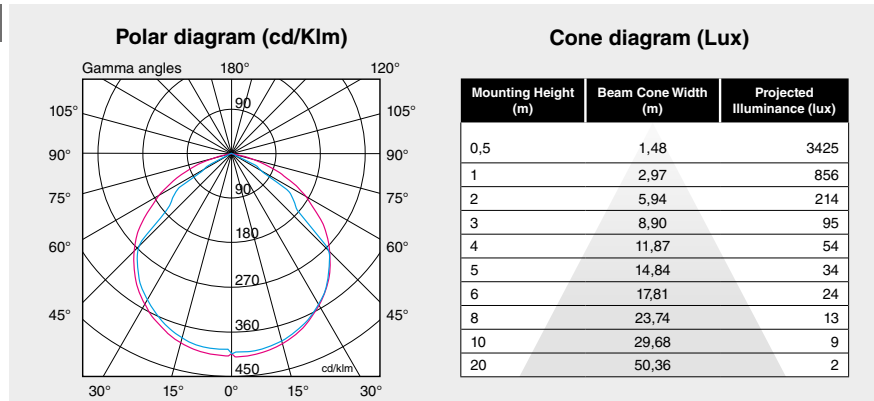
*Nominal values-calculation reported to LED module. ** On request lamps with different CRI.

- Colours**
- White
 - Black
 - Silver
 - Blue
 - Orange
 - Red



Photometric

Diagrams are from Dhuveli small 4000°K, for other colour temperature diagrams, please contact info@rold.com.

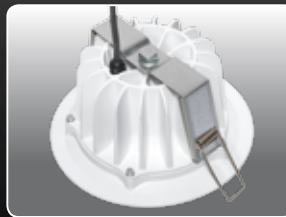




THILA

LED lamp versatile

Thila is a recessed lamp designed for commercial environments and workplaces. It is characterized by a high color rendering index and a low power consumption. Heatsink and frame made of die-cast aluminum designed for optimum heat dissipation, opal tempered safety glass, LED Chip on Board technology of last generation.



Key features	
Installation	Indoor, Outdoor
Working Ambient Temperature	-30°C +40°C
Body Material	Cast aluminum
Colour	White - Black
Protection Degree	IP 65
Diffuser Material	Tempered opal glass (thickness 4 mm)
Dimension	98 x 205 mm
Weight	1,8 Kg
LED Type	Cob
Opening of luminous flux	120°
Driver	Not included

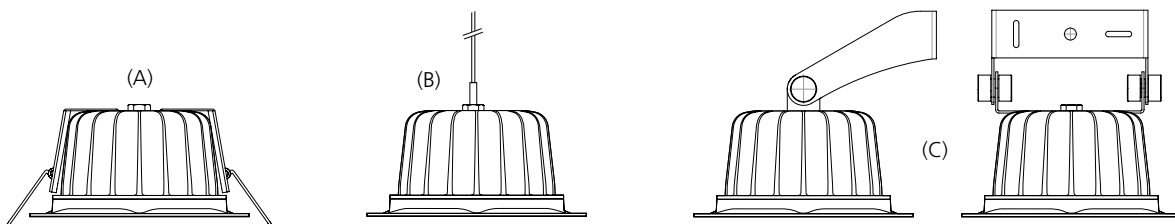
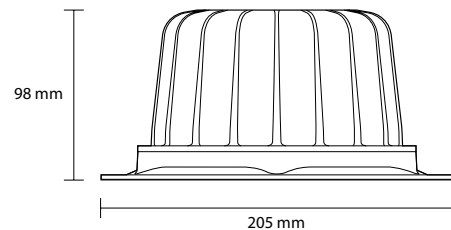
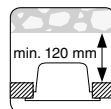
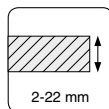
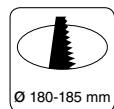
F III IP65 CE

Colour	Power*	Current	Voltage	Colour Temperature	Light Output	CRI	Life Time
Black/White	20 W	500 mA	36 V	3000 °K	1900 lm	≥ 80 Ra	65000 h (L70)
Black/White	20 W	500 mA	36 V	4000 °K	2500 lm	≥ 80 Ra	65000 h (L70)
Black/White	25 W	700 mA	36 V	3000 °K	2500 lm	≥ 80 Ra	65000 h (L70)
Black/White	25 W	700 mA	36 V	4000 °K	3200 lm	≥ 80 Ra	65000 h (L70)
Black/White	35 W	900 mA	36 V	3000 °K	3000 lm	≥ 80 Ra	65000 h (L70)
Black/White	35 W	900 mA	36 V	4000 °K	3500 lm	≥ 80 Ra	65000 h (L70)

*Nominal values-calculation reported to LED module.

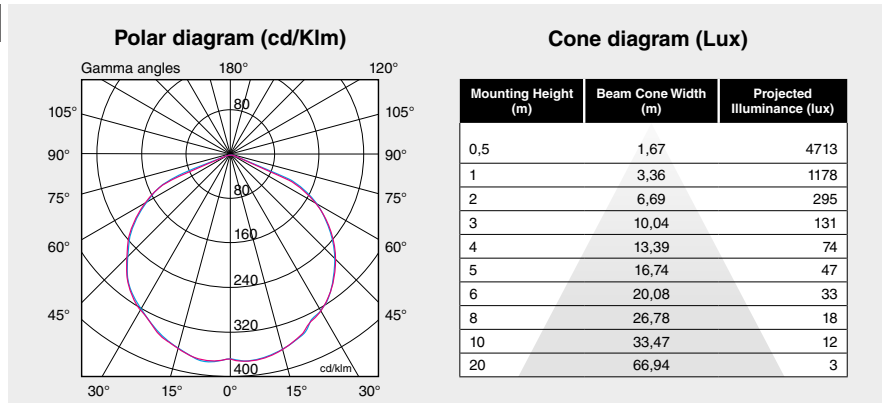
Mounting

- Recessed installation (A)
- Suspension installation (B)
- Wall installation - floor, regulable (C)



Photometric

Diagrams are from Thila 35W 4000°K, for other colour temperature diagrams, please contact info@rold.com.





KURIN

Elegance and versatility for interior design

Kurin is a downlight interior cylindrical lamp with a polyester powder coated aluminum chassis. It is suitable for residential spaces, for ceiling/fixture installation in commercial areas and also in offices where it isn't possible or no desired to install recessed lamps. Different colour rendering indexes and light flows, that characterize the lamp, make it versatile in different locations also in polished, innovative and designed sets maintaining high energy efficiency thanks to our high performance LED lighting sources.



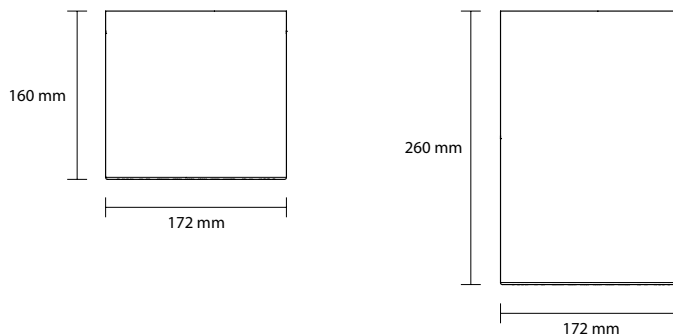
Key features	
Installation	Indoor
Working Ambient Temperature	-30°C +40°C
Body Material	Varnished aluminum
Colour	White - Black
Protection Degree	IP 40
Diffuser Material	Tempered opal glass (thickness 4 mm)
Dimension	160 x 172 mm - 260 x 172 mm
Weight	2,3 Kg - 2,5 Kg
LED Type	Cob
Opening of luminous flux	120°
Driver	Included



IP40 CE

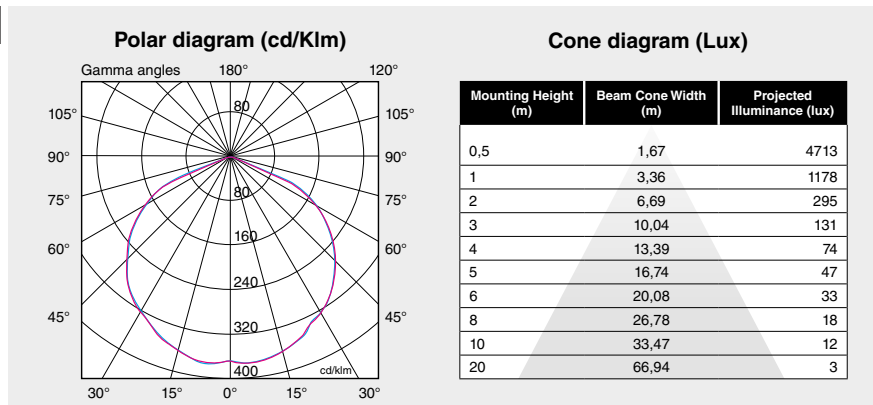
Colour	Power*	Current	Voltage	Colour Temperature	Light Output	CRI	Life Time
Black/White	20 W	500 mA	230 V	3000 °K	1900 lm	≥ 80 Ra	65000 h (L70)
Black/White	20 W	500 mA	230 V	4000 °K	2500 lm	≥ 80 Ra	65000 h (L70)
Black/White	25 W	700 mA	230 V	3000 °K	2500 lm	≥ 80 Ra	65000 h (L70)
Black/White	25 W	700 mA	230 V	4000 °K	3200 lm	≥ 80 Ra	65000 h (L70)
Black/White	35 W	900 mA	230 V	3000 °K	3000 lm	≥ 80 Ra	65000 h (L70)
Black/White	35 W	900 mA	230 V	4000 °K	3500 lm	≥ 80 Ra	65000 h (L70)

*Nominal values-calculation reported to LED module.



Photometric

Diagrams are from Kurin 35W 4000°K, for other colour temperature diagrams, please contact info@rold.com.



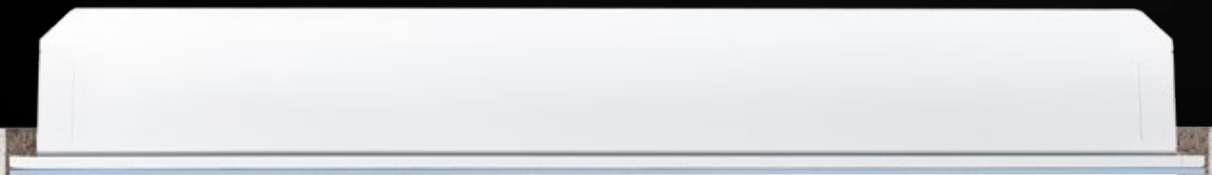


THEYRA

The energy and cost saving ceiling

THEYRA is a high brightness LED ceiling light fixture, designed for installation in office false ceilings. Its standard size (60 x 60 cm) allows an easy mounting to replace the fixtures equipped with traditional neon lights, meanwhile it offers a natural and comfortable light quality.

THEYRA guarantees a significant energy saving, moreover it eliminates unnecessary maintenance.

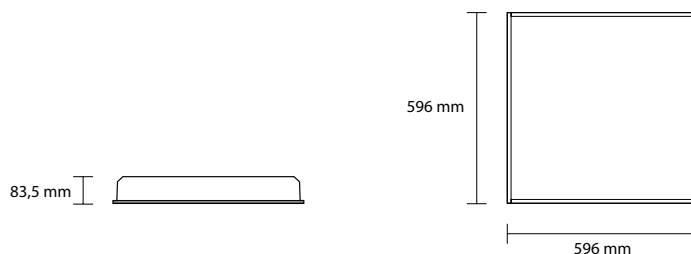


Key features	
Installation	Indoor
Working Ambient Temperature	-20°C +40°C
Opening of luminous flux	120°
Full operation time	0,1
LED Type	SSC 5630
Colour	White
Body Material	Steel
Diffuser Material	Opal methacrylate plate
Driver	Included
Dimension	596 x 596 x 83,5 mm
Weight	2,5 Kg



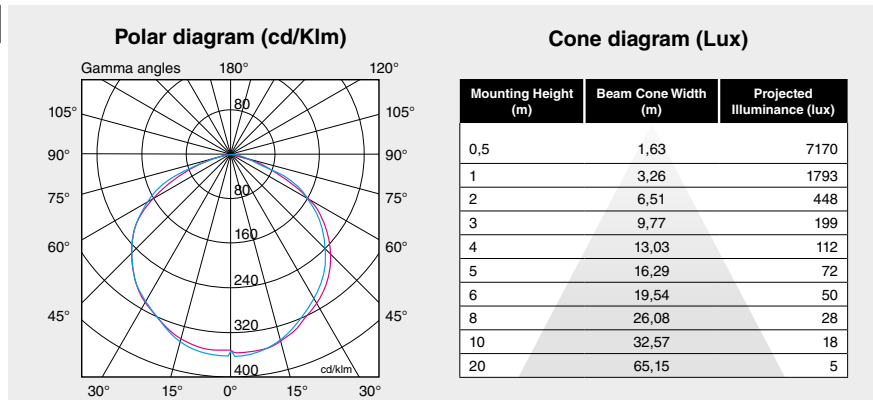
Power*	Voltage	Colour Temperature	Light Output	CRI	Life Time
56 W	230 V	3000 °K	3670 lm	≥ 80 Ra	65000 h (L70)
56 W	230 V	4000 °K	4070 lm	≥ 80 Ra	65000 h (L70)
56 W	230 V	5000 °K	4500 lm	≥ 80 Ra	65000 h (L70)

*Nominal values-calculation reported to LED module.



Photometric

Diagrams are from Theyra 4000°K, for other colour temperature diagrams, please contact info@rold.com.





Authorized Dealer:

Roldlighting

Elettrotecnica Rold S.r.l.
Via della Merlata, 1
20014 Nerviano (MI) Italy
T +39 0331 438011
F +39 0331 438012
E info@rold.com
W www.rold.com