



## Rocker switches



### A2 Series

**Square cut out - 19X22**  
**ENEC electrical rating up to 13A**






- Illuminated or not
- Momentary switch version available
- Switch with signal lights version available
- Applications: hairdryers

#### Products

*Customising on demand*

#### Accessories

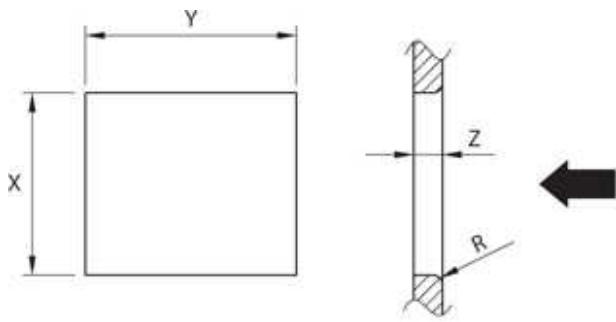
## Electrical features

ENEC electrical rating up to	<b>13A</b>
Electro-mechanical cycles number up to	<b>50.000</b>
Room temperature up to	<b>125 °C</b>
Flammability	<b>UL 94 V2</b>
Heat and fire resistance	<b>GWFI 850 °C</b> <b>GWIT 750 °C on demand</b>
Contact gap	<b>≥ 3 mm</b>
Approvals available (to check according to the rating of each single material code)	    
Reference standards	<b>EN 61058</b>

## Wiring diagrams

- Double momentary switch
- Double switch
- Double two-way switch
- Illuminated double switch dependent light
- Single-pole momentary switch + pilot light
- Single-pole switch + pilot light

## Cut out (mm)



Z	Y	X
0.7 ... 1.25	22.0 ± 0.1	19.0 ± 0.2
1.25 ... 2.0	22.0 ± 0.1	19.3 ± 0.2
2.0 ... 3.0	22.0 ± 0.1	19.6 ± 0.2

Stampa scheda