

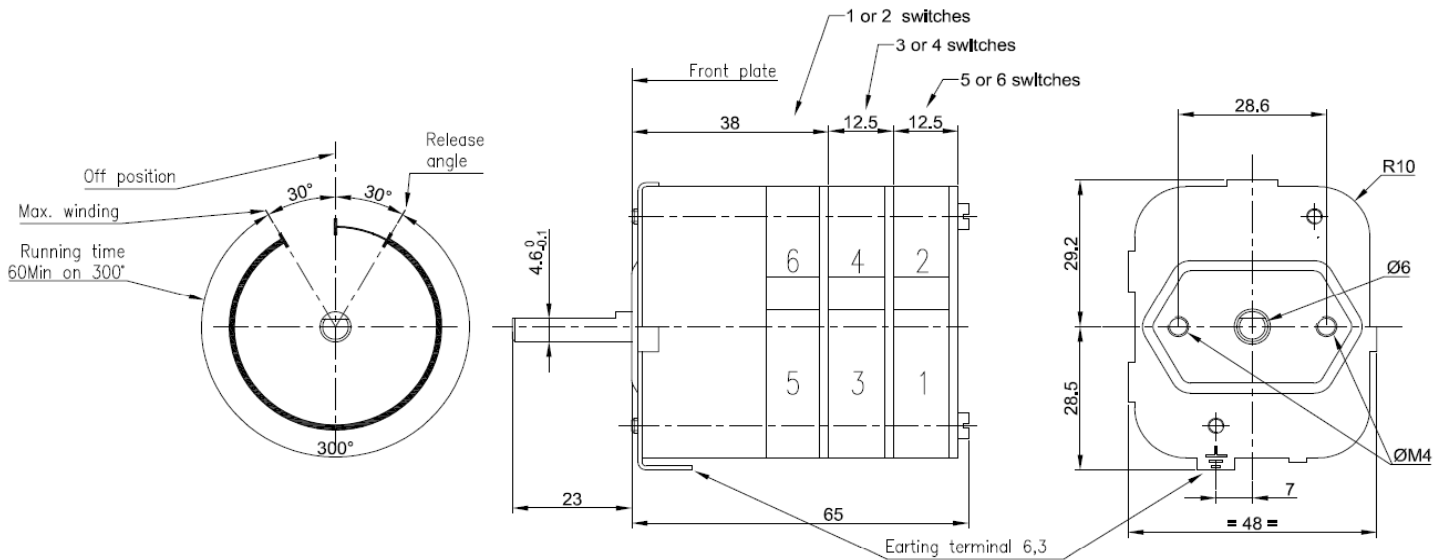
COULPATAN

TIME SWITCH C53

This mechanical time switch is available for a wide variety of applications thanks to its modularity and versatile design such as : mini ovens, deep fryers, barbecues, grills, solarium, heaters, battery chargers, industrial applications.

The C53 integrates many advantages such as :

- long term reliability
- small physical dimensions
- timing range until 24 hours on a standard wind up angle of 300°
- timing tolerance of +/- 5%
- numerous configurations with 1 to 6 switches : SPST, DPST, SPDT
- mounting with 2 screws M4 or M3
- different shaft lengths
- scale and knob could be provided under request



TECHNICAL FEATURES C53

Resistive switching capacity	16 (3)A	Switch position at rest	NO-NC-CO
Voltage rating	250VAC	Terminal type	6.3mmx0.8 silver plated
switch for appliance	I	Number electrical On off	10000
self extinguishability class	V0(UL94)	Ambient T°	0°C to max 125°C
Dielectric Strength	3750VAC	Timing range in hours	1-2-3-6-12-24
Distance between contact	>3mm	Approvals	EN 730-2-1 KEMA UL CSA
dimension of the shaft	Diam 6x4.6 std 23mm		