



Hairdryer switches



CN Series





Square cut out - soldering pins
ENEC electrical rating up to 16A

- Hairdryer switch
- Single or double pole
- Up to 50,000 electro-mechanical cycles

Products

Customising on demand

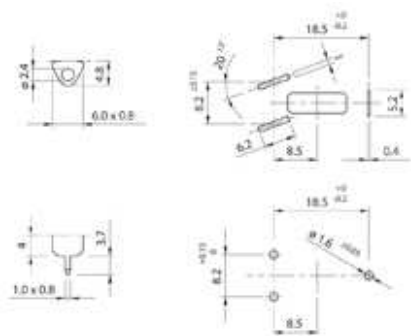
Electrical features

ENEC electrical rating up to	16A
Electro-mechanical cycles number up to	50.000
Room temperature up to	85 °C
Flammability	UL 94 V2
Heat and fire resistance	GWFI 850 °C
	GWIT 750 °C on demand
Contact gap	< 3 mm
Approvals available (to check according to the rating of each single material code)	   
Reference standards	EN 61058 UL 1054

Wiring diagrams

- Intermediate switch 3 positions

Cut out (mm)



Stampa scheda

