



## Hairdryer switches



### CO Series





**Square cut out - soldering pins**  
**ENEC electrical rating up to 16A**

- Hairdryer switch
- Single or double pole
- Up to 50,000 electro-mechanical cycles

#### Products

*Customising on demand*

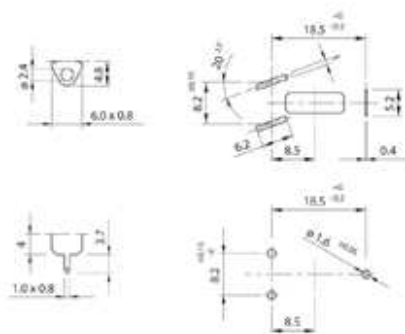
## Electrical features

ENEC electrical rating up to	<b>16A</b>
Electro-mechanical cycles number up to	<b>50.000</b>
Room temperature up to	<b>85 °C</b>
Flammability	<b>UL 94 V2</b>
Heat and fire resistance	<b>GWFI 850 °C</b>
	<b>GWIT 750 °C on demand</b>
Contact gap	<b>&lt; 3 mm</b>
Approvals available (to check according to the rating of each single material code)	   
Reference standards	<b>EN 61058</b> <b>UL 1054</b>

## Wiring diagrams

- Intermediate switch 3 positions

## Cut out (mm)



Stampa scheda

