

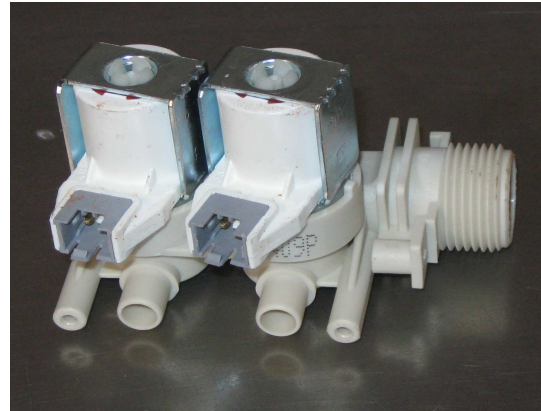
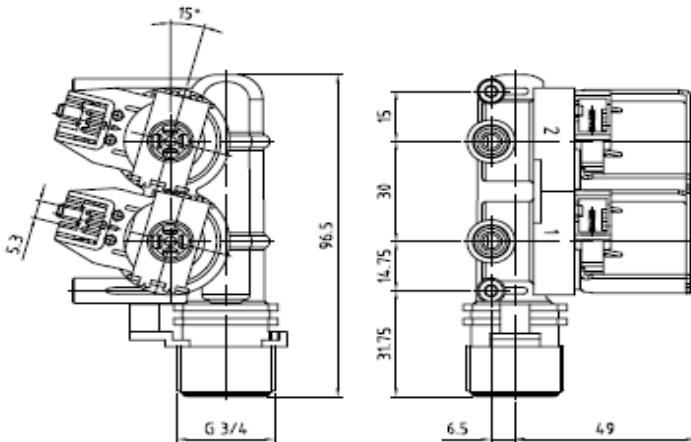


componenti per elettrodomestici

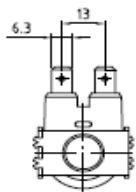


# IN LINE DOUBLE INLET VALVE

# EDL

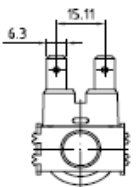


## Coils



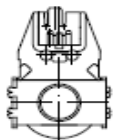
- 220/240V 50-60Hz 8VA
- 220/240V 50-60Hz 8VA RINF.
- 12V 50-60Hz
- 12V DC
- 24V 50-60Hz
- 24V DC

0.2 - 10 bar (0.02 + 1Mpa)  
 T60°C Tm25°C 100% ED  
 T60°C Tm90°C AB 3/5MIN



120V 60Hz

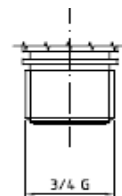
0.2 - 10 bar (0.02 + 1Mpa)  
 T60°C Tm25°C 100% ED  
 T60°C Tm90°C AB 3/5MIN



- 220/240V 50-60Hz 8VA
- 220/240V 50-60Hz 8VA RINF.
- 120V 60Hz
- 24V DC

0.2 - 10 bar (0.02 + 1Mpa)  
 T60°C Tm25°C 100% ED  
 T60°C Tm90°C AB 3/5MIN

## Inlet thread



## Flow Regulators

### INLET REGULATORS

l/min	Colour	l/min	Colour
2,5	brilliant yellow	7	light green
3	red	8	black
3,5	light blue	10	white
3,8	pink	11	orange
4	dark brown	12	blue
4,5	blue	14	green
5	violet	16	light brown
5,5	yellow	20	brilliant red
6	gray		

### OUTLET REGULATORS

l/min	Colour	l/min	Colour
0,25	red	1.5	light brown
0,35	violet	2.5	yellow
0.5	orange	3	dark green
0,8	white	5	black
1	light blue	8	blue
1.2	dark brown		