

ADAPTABLE MULTISPEED FAN COIL MOTOR



AFTER SALES SERVICE

SPARE PARTS

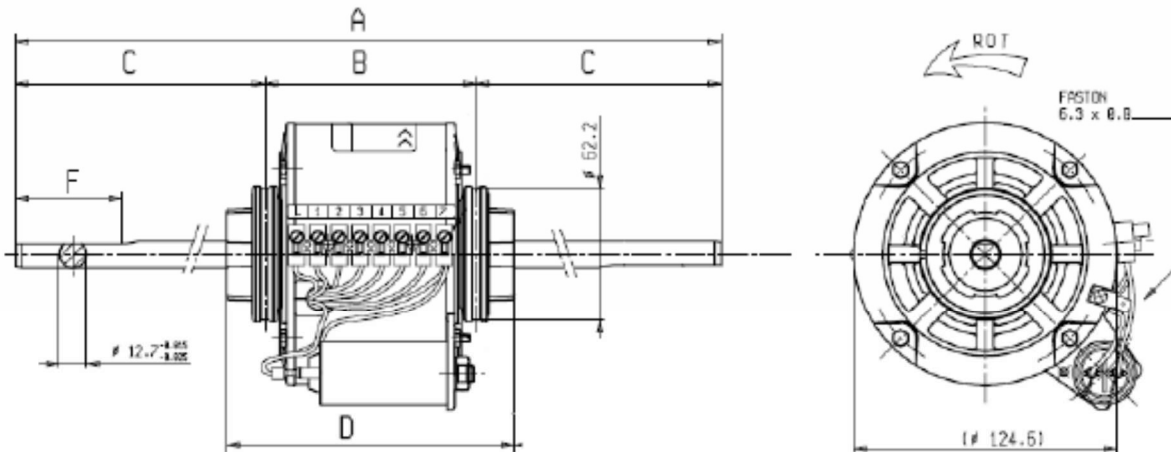
EXPLOITATION

Fan coil

Conditionners split-system

* Standard solution :

Motor type M02434 per	350	500	700 m3/h	single or double shaft
Motor type M02433 per	700	1000	1400 m3/h	single or double shaft
Motor type M02432 per	1000	1400	1700 m3/h	single or double shaft



New serie of adatables motors with the following construction features:

- 7 Consecutive speeds :
The highest speed is on connection 1 and the lowest speed is on connection 7 terminal block on the motor shell.
- Variable Power :
Changing the brown wire position from the 7th connection to the 6th or 5th connection reduces the power and the R.P.M.
- Adjustable silentblocs :
Possibility of adjusting the space of the fixation B, sliding the silentblocs.

MODELE	A	B	C	D	F
K48407 M02434	500	98 ÷ 124	189 ÷ 201	134.2	110
K48410 M02433	550	112 ÷ 136	207 ÷ 219	148.2	110
K48412 M02432	580	112 ÷ 136	222 ÷ 234	148.2	110

It is recommended that you check on the appliance that the motor can start with the minimum voltage applied to the lowest chosen speed connections.

Ball Bearings

INDICATIVES TABLES FOR SELECTION MOTOR BASED ON AIR FLOW

MODELE	Apparechiana Appliances Appareils	200 cfm 350 m3/h			300 cfm 500 m3/h			400 cfm 700 m3/h			600 cfm 1000 m3/h			800 cfm 1400 m3/h			1000 cfm 1700 m3/h			
		Alta Hgh Grande	Media Medium Moyenne	Bassa Low Petite	Alta Hgh Grande	Media Medium Moyenne	Bassa Low Petite	Alta Hgh Grande	Media Medium Moyenne	Bassa Low Petite	Alta Hgh Grande	Media Medium Moyenne	Bassa Low Petite	Alta Hgh Grande	Media Medium Moyenne	Bassa Low Petite	Alta Hgh Grande	Media Medium Moyenne	Bassa Low Petite	
K48407 M02434	Tour/min	950	710	510	950	670	490	950	700	500	950	750	550							
	Watt Resi / Output Unles	12	5	2	14	6	2	22	8,5	3	30	15	5,5							
	Watt Assorb. / Input Absorb.	39	26	20	52	38	28	74	50	36	102	70	46							
	A	0,19	0,14	0,11	0,24	0,18	0,13	0,34	0,24	0,17	0,47	0,32	0,22							
	Tour/min	1200	990	740	1200	980	740	1200	960	720	1200	1020	750							
	Watt Resi / Output Unles	11	6	2,3	14,5	8	3,5	22	12	6	32	20	8							
	Watt Assorb. / Input Absorb.	34	25	19	44	32	26	64	46	34	90	64	44							
	A	0,17	0,13	0,10	0,21	0,16	0,13	0,3	0,22	0,16	0,41	0,3	0,21							
	K48410 M02433	Tour/min							950	700	500	950	710	510	950	730	530			
		Watt Resi / Output Unles							28	11	3,5	37	14	5	45	19	7			
Watt Assorb. / Input Absorb.								90	64	46	118	82	56	154	104	72				
A								0,41	0,30	0,22	0,55	0,37	0,26	0,74	0,48	0,33				
Tour/min								1200	950	710	1200	940	690	1200	990	700				
Watt Resi / Output Unles								34	16	6	46	21	8	58	31	11				
Watt Assorb. / Input Absorb.								76	58	44	102	74	54	132	96	68				
A								0,35	0,27	0,21	0,47	0,35	0,26	0,63	0,44	0,3				
K48412 M02432		Tour/min										1200	920	675	1200	950	690	1200	950	700
		Watt Resi / Output Unles										60	26	10	80	36	14	95	45	18
	Watt Assorb. / Input Absorb.										130	105	80	170	130	95	210	160	120	
	A										0,60	0,50	0,40	0,80	0,60	0,45	1	0,75	0,55	

VITESSE	1	2	3	4	5	6	7
tr / mn	1200 1100	1100 1000	1000 900	900 800	800 700	700 600	600 500

For examples : - 3 HIGH SPEED

CONNECTION : 1 - 3 - 5

- 3 LOW SPEED

CONNECTION : 3 - 5 - 7

Ball Bearings

Asincronus single phase motor, permanet split capacitor, 4 poles, 220-240V, 50-60 HZ, Insulation class B, manufactured in compliance with 73/23/CEE * EN60034-1 * EN60034-5 * EN60335-1 * 89/336/CEE

Components to be incorporated into a machine as defined in Directive No. 98/37 / CEE and any other specific applicable compliances