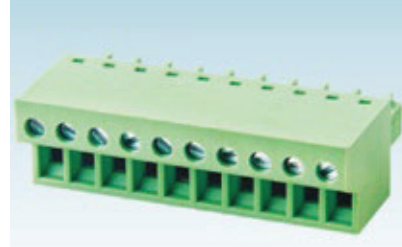
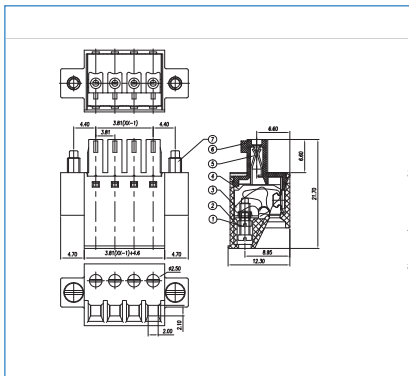


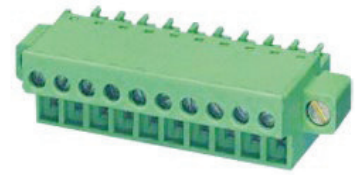
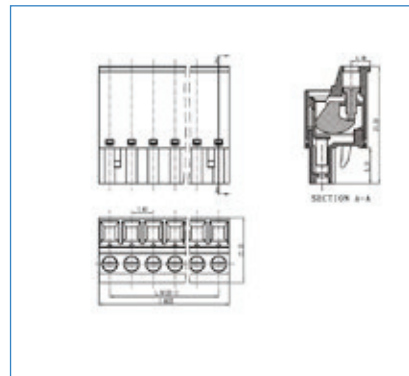
CFF-F

3,81 mm
2÷22
M2.0
PA66, UL 94V0
250V
7A
1,5 mm ² 28÷16 AWG
-40°C + 105°C
0,2Nm (1,8 Lb in)
7 mm
GN(green)
BK (nero - black) / GY (grigio chiaro/light grey)



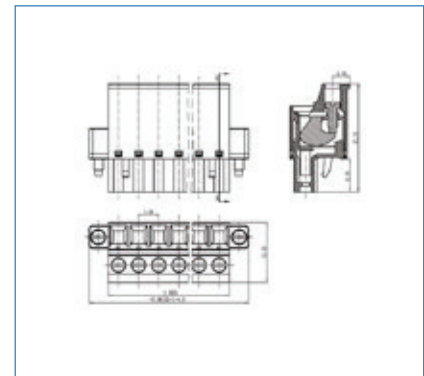
CFF

5,08 mm
2÷24
M2.0
PA66, UL 94V0
450V
20A
2,5 mm ² 28÷14 AWG
-40°C + 105°C
0,2Nm (1,8 Lb in)
7 mm
15A-300V
GN(green)
BK (nero - black) / GY (grigio chiaro/light grey)



CFF-F

5,08 mm
2÷22
M2.0
PA66, UL 94V0
450V
20A
2,5 mm ² 28÷14 AWG
-40°C + 105°C
0,2Nm (1,8 Lb in)
7 mm
15A-300V
GN(green)
BK (nero - black) / GY (grigio chiaro/light grey)



CFF02-3.81-F	CFF02-5.08	CFF02-5.08-F
CFF03-3.81-F	CFF03-5.08	CFF03-5.08-F
CFF04-3.81-F	CFF04-5.08	CFF04-5.08-F
CFF05-3.81-F	CFF05-5.08	CFF05-5.08-F
CFF06-3.81-F	CFF06-5.08	CFF06-5.08-F
CFF07-3.81-F	CFF07-5.08	CFF07-5.08-F
CFF08-3.81-F	CFF08-5.08	CFF08-5.08-F
CFF09-3.81-F	CFF09-5.08	CFF09-5.08-F
CFF10-3.81-F	CFF10-5.08	CFF10-5.08-F
CFF11-3.81-F	CFF11-5.08	CFF11-5.08-F
CFF12-3.81-F	CFF12-5.08	CFF12-5.08-F
CFF13-3.81-F	CFF13-5.08	CFF13-5.08-F
CFF14-3.81-F	CFF14-5.08	CFF14-5.08-F
CFF15-3.81-F	CFF15-5.08	CFF15-5.08-F
CFF16-3.81-F	CFF16-5.08	CFF16-5.08-F
CFF17-3.81-F	CFF17-5.08	CFF17-5.08-F
CFF18-3.81-F	CFF18-5.08	CFF18-5.08-F
CFF19-3.81-F	CFF19-5.08	CFF19-5.08-F
CFF20-3.81-F	CFF20-5.08	CFF20-5.08-F
CFF21-3.81-F	CFF21-5.08	CFF21-5.08-F
CFF22-3.81-F	CFF22-5.08	CFF22-5.08-F
	CFF23-5.08	
	CFF24-5.08	