

CFS-F

3,5 mm	3,81 mm
2÷22	

PA66, UL 94V0

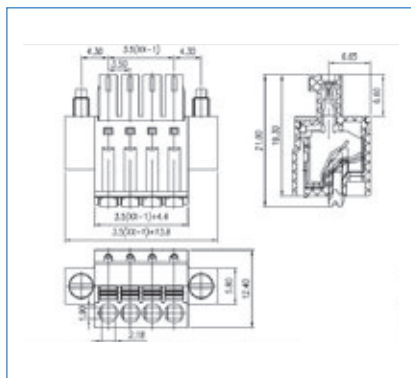
250V
7A
1,5 mm ² 28÷16 AWG

-40°C + 105°C

7 mm

--

GN(green)
BK (nero - black) / GY (grigio chiaro/light grey)



CFSC

3,5 mm
2÷24

PA66, UL 94V0

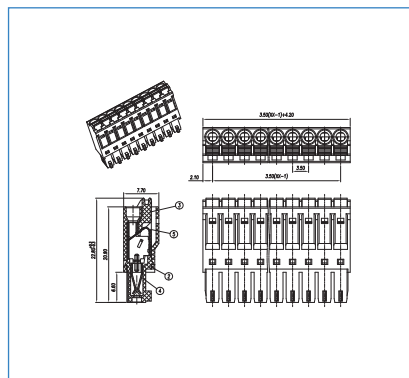
250V
10A
1,0 mm ² 24÷16 AWG

-40°C + 105°C

9 mm

--

GN(green)
BK (nero - black) / GY (grigio chiaro/light grey)



CFSC-EJ

3,5 mm
2÷24

PA66, UL 94V0

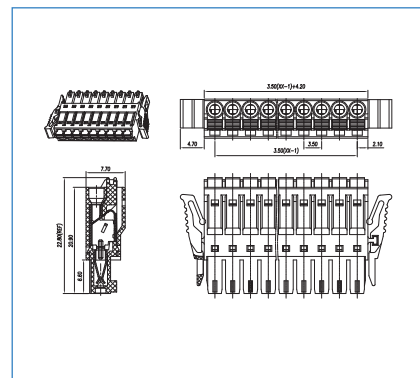
250V
10A
1,0 mm ² 24÷16 AWG

-40°C + 105°C

9 mm

--

GN(green)
BK (nero - black) / GY (grigio chiaro/light grey)



CFS02-3.5-F	CFS02-3.81-F	CFSC02-3.5	CFSC02-3.5-EJ
CFS03-3.5-F	CFS03-3.81-F	CFSC03-3.5	CFSC03-3.5-EJ
CFS04-3.5-F	CFS04-3.81-F	CFSC04-3.5	CFSC04-3.5-EJ
CFS05-3.5-F	CFS05-3.81-F	CFSC05-3.5	CFSC05-3.5-EJ
CFS06-3.5-F	CFS06-3.81-F	CFSC06-3.5	CFSC06-3.5-EJ
CFS07-3.5-F	CFS07-3.81-F	CFSC07-3.5	CFSC07-3.5-EJ
CFS08-3.5-F	CFS08-3.81-F	CFSC08-3.5	CFSC08-3.5-EJ
CFS09-3.5-F	CFS09-3.81-F	CFSC09-3.5	CFSC09-3.5-EJ
CFS10-3.5-F	CFS10-3.81-F	CFSC10-3.5	CFSC10-3.5-EJ
CFS11-3.5-F	CFS11-3.81-F	CFSC11-3.5	CFSC11-3.5-EJ
CFS12-3.5-F	CFS12-3.81-F	CFSC12-3.5	CFSC12-3.5-EJ
CFS13-3.5-F	CFS13-3.81-F	CFSC13-3.5	CFSC13-3.5-EJ
CFS14-3.5-F	CFS14-3.81-F	CFSC14-3.5	CFSC14-3.5-EJ
CFS15-3.5-F	CFS15-3.81-F	CFSC15-3.5	CFSC15-3.5-EJ
CFS16-3.5-F	CFS16-3.81-F	CFSC16-3.5	CFSC16-3.5-EJ
CFS17-3.5-F	CFS17-3.81-F	CFSC17-3.5	CFSC17-3.5-EJ
CFS18-3.5-F	CFS18-3.81-F	CFSC18-3.5	CFSC18-3.5-EJ
CFS19-3.5-F	CFS19-3.81-F	CFSC19-3.5	CFSC19-3.5-EJ
CFS20-3.5-F	CFS20-3.81-F	CFSC20-3.5	CFSC20-3.5-EJ
CFS21-3.5-F	CFS21-3.81-F	CFSC21-3.5	CFSC21-3.5-EJ
CFS22-3.5-F	CFS22-3.81-F	CFSC22-3.5	CFSC22-3.5-EJ
		CFSC23-3.5	CFSC23-3.5-EJ
		CFSC24-3.5	CFSC24-3.5-EJ