

SERIE/PRODUCT SERIES

Passo / Pitch(mm)/ Rastermaß
 Poli monoblocco/single mold poles/Polzahl

Vite / Screw / Schraube
 Corpo isolante / Housing / Gehäuse

Tensione nominale/Rated Voltage/Nennspannung
 Corrente Nominale/Rated Current/Nennstrom
 Sezione Nominale/Wire section / Nenn querschnitt

Temperatura / Temperature / Temperatur
 Coppia di torsione / Torque / Anzugsdrehmoment
 Lunghezza spellatura/ Stripping length/ Abisolierlänge

VDE
 UL - cUL (file n. E342315)

*Colore standard/ Standard colour/ Standardfarbe
 Colori a richiesta/ Colours on request/ Farben auf Anfrage
 *= da non specificare sul codice di ordinazione
 Do not specify on ordering code
 Muss im Bestellcode nicht angegeben werden

Per evitare sbalzi tra i morsetti ed i fori sul c.s. bisogna prevedere una interruzione quando il n. di poli è superiore a 30.

To avoid loss of pitch between terminal block and pcb it is necessary to interrupt the terminal row by poles higher than 30

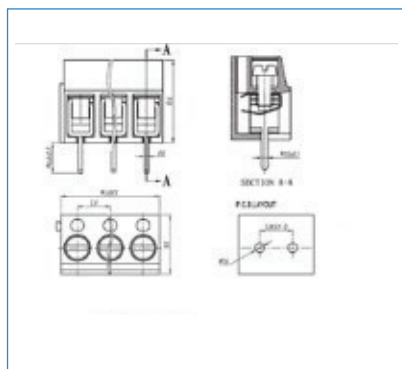
Die Polzahl sollte maximal 30 betragen damit das Rastermaß von PCB und Leiterplattenklemme noch übereinstimmen

**COME ORDINARE
 HOW TO ORDER / BESTELLNUMMER**

Series	n. poles	pitch	version	color	custom

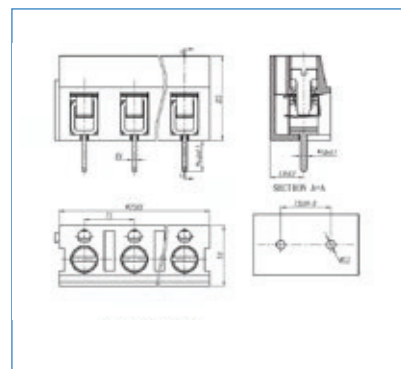
MLR52-V

5 mm
2÷24
M3
PBT, UL 94V0
250V
17,5A
2,5 mm ² 22÷14 AWG
-30°C + 120°C
0,5Nm (4,5 Lb in)
5 mm
GN(green)
BK (nero - black) / GY (grigio chiaro/light grey)



MLR72-V

7,5 mm
2÷24
M3
PBT, UL 94V0
450V
24A
2,5 mm ² 22÷14 AWG
-30°C + 120°C
0,5Nm (4,5 Lb in)
5 mm
GN(green)
BK (nero - black) / GY (grigio chiaro/light grey)



PASSO / PITCH / RASTERMAß

2 POLI

3 POLI

MLR522-5-V

MLR523-5-V

MLR524-5-V

MLR525-5-V

MLR526-5-V

MLR527-5-V

MLR528-5-V

MLR529-5-V

MLR5210-5-V

MLR5211-5-V

MLR5212-5-V

MLR5213-5-V

MLR5214-5-V

MLR5215-5-V

MLR5216-5-V

MLR5217-5-V

MLR5218-5-V

MLR5219-5-V

MLR5220-5-V

MLR5221-5-V

MLR5222-5-V

MLR5223-5-V

MLR5224-5-V

MLR722-7.5-V

MLR723-7.5-V

MLR724-7.5-V

MLR725-7.5-V

MLR726-7.5-V

MLR727-7.5-V

MLR728-7.5-V

MLR729-7.5-V

MLR7210-7.5-V

MLR7211-7.5-V

MLR7212-7.5-V

MLR7213-7.5-V

MLR7214-7.5-V

MLR7215-7.5-V

MLR7216-7.5-V

MLR7217-7.5-V

MLR7218-7.5-V

MLR7219-7.5-V

MLR7220-7.5-V

MLR7221-7.5-V

MLR7222-7.5-V

MLR7223-7.5-V

MLR7224-7.5-V

24 POLI