



MRD31-L

3,5 mm	3,81 mm
2+2÷24+24	

M2.0
PA66, UL 94V0

250V
15A
1,5 mm ² 30÷16 AWG

-40°C + 105°C
0,2Nm (1,8 Lb in)
6 mm

15A-300V

GN(green)
BK (nero - black) / GY (grigio chiaro/light grey)



MHH52-V

5 mm	5,08 mm
2÷24	

M2.5
PA66, UL 94V0

250V
18A
2,5 mm ² 30÷14 AWG

-40°C + 105°C
0,4Nm (3,6 Lb in)
7 mm

15A-300V

GN(green)
BK (nero - black) / GY (grigio chiaro/light grey)



MRD51-V

5 mm
2+2÷24+24

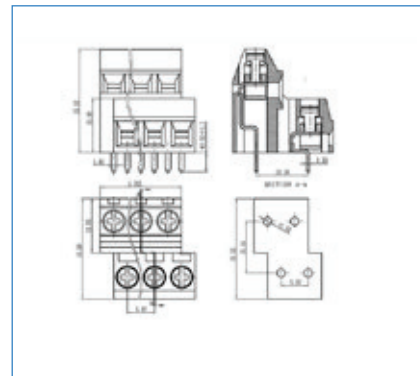
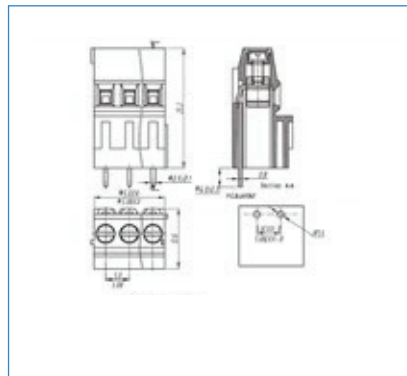
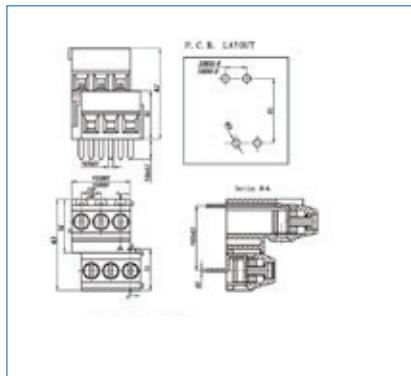
M2.5
PA66, UL 94V0

250V
17,5A
1,5 mm ² 30÷16 AWG

-40°C + 105°C
0,4Nm (3,6 Lb in)
6 mm

15A-300V

GN(green)
BK (nero - black) / GY (grigio chiaro/light grey)



MRD312-3.5-L	MRD312-3.81-L	MHH522-5-V	MHH522-5.08-V	MRD512-5-V
MRD313-3.5-L	MRD313-3.81-L	MHH523-5-V	MHH523-5.08-V	MRD513-5-V
MRD314-3.5-L	MRD314-3.81-L	MHH524-5-V	MHH524-5.08-V	MRD514-5-V
MRD315-3.5-L	MRD315-3.81-L	MHH525-5-V	MHH525-5.08-V	MRD515-5-V
MRD316-3.5-L	MRD316-3.81-L	MHH526-5-V	MHH526-5.08-V	MRD516-5-V
MRD317-3.5-L	MRD317-3.81-L	MHH527-5-V	MHH527-5.08-V	MRD517-5-V
MRD318-3.5-L	MRD318-3.81-L	MHH528-5-V	MHH528-5.08-V	MRD518-5-V
MRD319-3.5-L	MRD319-3.81-L	MHH529-5-V	MHH529-5.08-V	MRD519-5-V
MRD3110-3.5-L	MRD3110-3.81-L	MHH5210-5-V	MHH5210-5.08-V	MRD5110-5-V
MRD3111-3.5-L	MRD3111-3.81-L	MHH5211-5-V	MHH5211-5.08-V	MRD5111-5-V
MRD3112-3.5-L	MRD3112-3.81-L	MHH5212-5-V	MHH5212-5.08-V	MRD5112-5-V
MRD3113-3.5-L	MRD3113-3.81-L	MHH5213-5-V	MHH5213-5.08-V	MRD5113-5-V
MRD3114-3.5-L	MRD3114-3.81-L	MHH5214-5-V	MHH5214-5.08-V	MRD5114-5-V
MRD3115-3.5-L	MRD3115-3.81-L	MHH5215-5-V	MHH5215-5.08-V	MRD5115-5-V
MRD3116-3.5-L	MRD3116-3.81-L	MHH5216-5-V	MHH5216-5.08-V	MRD5116-5-V
MRD3117-3.5-L	MRD3117-3.81-L	MHH5217-5-V	MHH5217-5.08-V	MRD5117-5-V
MRD3118-3.5-L	MRD3118-3.81-L	MHH5218-5-V	MHH5218-5.08-V	MRD5118-5-V
MRD3119-3.5-L	MRD3119-3.81-L	MHH5219-5-V	MHH5219-5.08-V	MRD5119-5-V
MRD3120-3.5-L	MRD3120-3.81-L	MHH5220-5-V	MHH5220-5.08-V	MRD5120-5-V
MRD3121-3.5-L	MRD3121-3.81-L	MHH5221-5-V	MHH5221-5.08-V	MRD5121-5-V
MRD3122-3.5-L	MRD3122-3.81-L	MHH5222-5-V	MHH5222-5.08-V	MRD5122-5-V
MRD3123-3.5-L	MRD3123-3.81-L	MHH5223-5-V	MHH5223-5.08-V	MRD5123-5-V
MRD3124-3.5-L	MRD3124-3.81-L	MHH5224-5-V	MHH5224-5.08-V	MRD5124-5-V