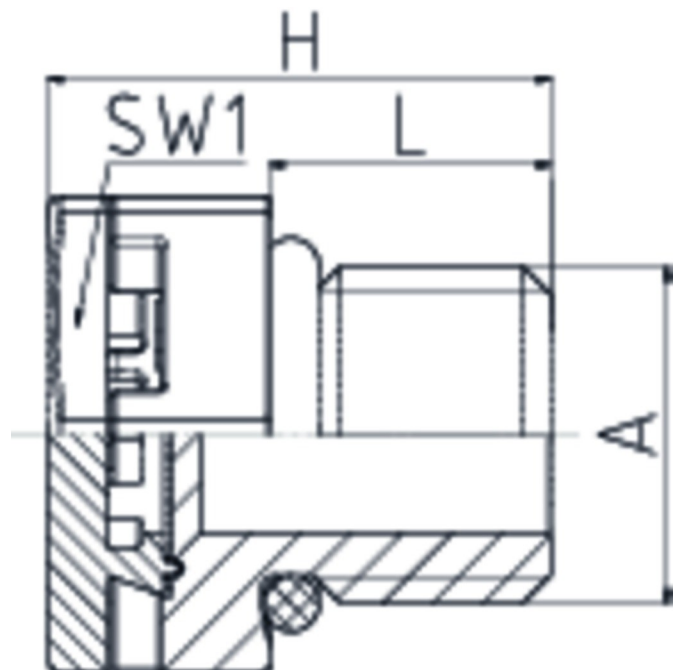
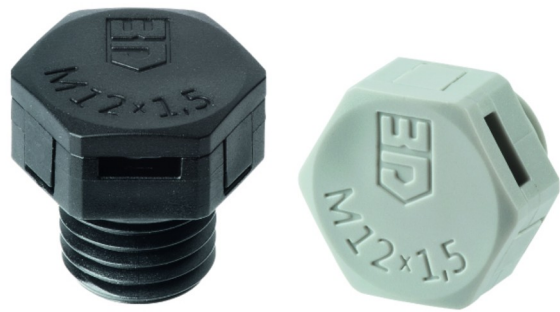


Venting element

Body	Polyamide PA6 V-0
Membrane	Polyether sulphone PES
O-ring	Nitrile rubber NBR
Connecting thread	metric, as per EN 60423

Properties


	<ul style="list-style-type: none"> • protection for hermetically sealed electro-technical and electronic enclosures against condensation water from alternating temperature and pressure • pressure, continuous ventilation and adaption of the inner pressure • hydrophobic and oleophobic PES-membrane
Typical air flow	> 400 ml/min/cm ² bei $\Delta p = 0,07$ bar
Water entry pressure	> 0,83 bar (dynamischer WEP, 30 Sekunden)
Temperature range (°C)	-40 +100
Protection grade	IP66/ IP68 - 0,6 bar (60m min.)/ IP69K



Features


 RAL 9005

Connecting thread standard length


A	L	SW1	H		Part No.
M20x1,5	10	27	21,6	10	JDAE20PA/SW

 RAL 7035


Connecting thread standard length

A	L	SW1	H		Part No.
M20x1,5	10	27	21,6	10	JDAE20PA7035
M40x1,5	18	50	35,6	5	JDAE40PA7035

Connecting thread short

A	L	SW1	H		Part No.
M12x1,5	6	17	13,8	100	JDAE12PA067035

Connecting thread standard length

A	L	SW1	H		Part No.
M40x1,5	18	50	35,6	5	JDAE40PA/SW
M12x1,5	10	17	17,8	100	JDAE12PA7035
M12x1,5	10	17	17,8	100	JDAE12PA/SW