



**PRODUCT SPECIFICATION**  
**AC SQUARE SHADED-POLE FAN MOTOR**



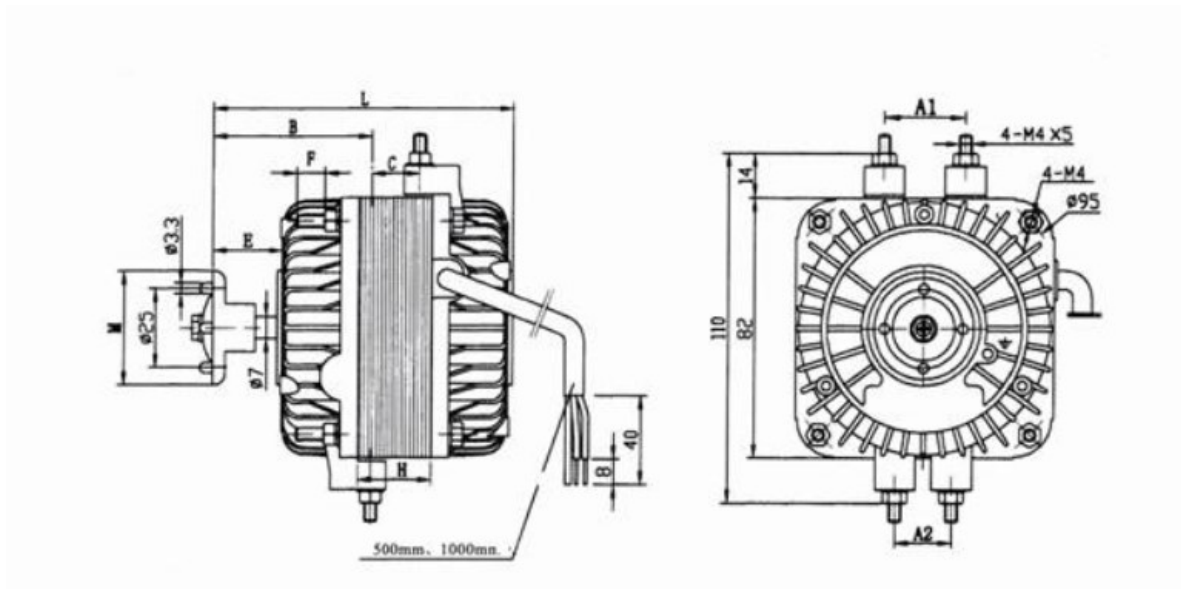
**AC SQUARE SHADED-POLE FAN MOTOR**

- OUTPUT POWER: 5W,10W,16W,25W,36W
- VOLTAGE : 220VAC/240VAC
- FREQUENCY: 50Hz/60Hz
- PROTECTION TYPE: IP42
- INSULATION : CLASS B
- OPERATION TEMPERATURE: -30°C+60°C
- MOTOR TYPE: 1 PHASE , 4 POLES DIRECT STARTING
- SAFETY APPROVALS: CE

MODEL	VOLTAGE	FREQ. Hz	RATED INPUT	RATED OUTPUT	RATED CURRENT	RATED SPEED	FAN BLADE	BRACKET	DIRECTION
KLM230A082N060SZBM4B	230VAC	50 Hz	33W	5W	0.20A	1300Rpm	172mmØ	56mm	CW/CCW
					0.21A	1300Rpm	200mmØ	72mm	CW/CCW
KLM230A082N070SZDM4B	230VAC	50 Hz	60W	10W	0.25A	1300Rpm	200mmØ	72mm	CW/CCW
					0.35A	1300Rpm	230mmØ	86mm	CW/CCW
KLM230A082N075SZEM4B	230VAC	50 Hz	70W	16W	0.45A	1300Rpm	230mmØ	86mm	CW/CCW
					0.50A	1300Rpm	254mmØ	86mm	CW/CCW
KLM230A082N090SZGM4B	230VAC	50 Hz	95W	25W	0.90A	1300Rpm	254mmØ	86mm	CW/CCW
					1A	1300Rpm	300mmØ	112mm	CW/CCW
KLM230A082N095SZJM4B	230VAC	50Hz	120W	34W	1.2A	1300Rpm	300mmØ	112mm	CW/CCW



**PRODUCT SPECIFICATION**  
**AC SQUARE SHADED-POLE FAN MOTOR**



MODEL	A1	A2	B	C	C1	E	M	F	L	M
KLM230A82N060SZBM4B-5W	26	18	46	5	—	19	31	7.5(13)	80.5	13
KLM230A82N070SZDM4B-10W	26	18	48	12	—	21	31	9.5(13)	90.5	20
KLM230A82N075SZEM4B-16W	26	18	49	17	17	22	36	9.5(13)	96.5	25
KLM230A82N090SZGM4B-25W	26	18	49	32	32	22	36	9.5(13)	111.5	40
KLM230A82N095SZJM4B-34W	26	18	49	37	37	22	36	9.5(13)	116.5	45

ALL THE SIZES ARE IN mm