

Switch size indicator lights



P5 Series

Round cut out - Ø 16

- Signal lights P1 series
- Different colours available
- Room temperature: 125 °C

Products

Customising on demand

Electrical features

Room temperature up to

125 °C

Flammability

UL 94 V2

Heat and fire resistance

GWFI 850 °C

Approvals available (to check according to the rating of each single material code)



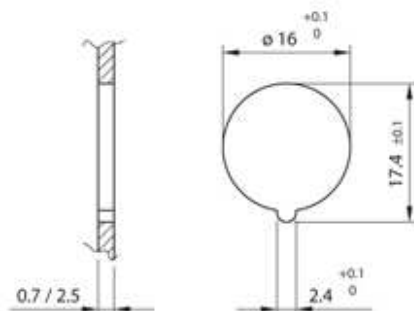
Reference standards

Vde 710

Wiring diagrams

- Signal lights

Cut out (mm)



Stampa scheda