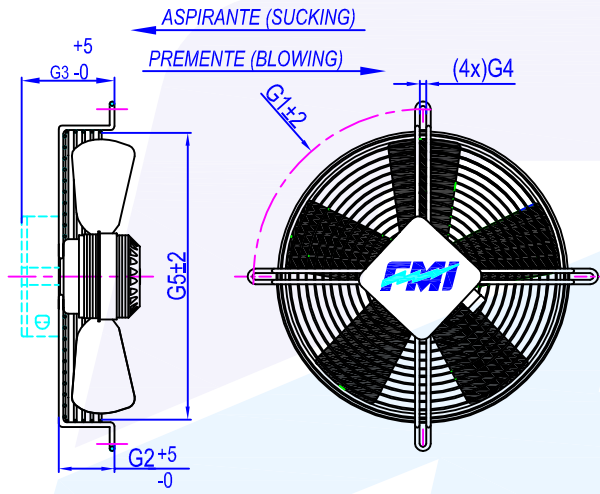
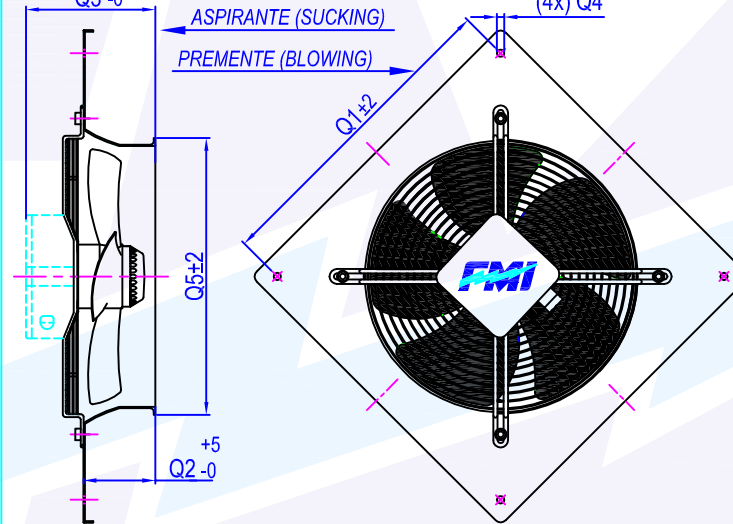


VENTILATORI ASSIALI A ROTORE ESTERNO (EXTERNAL ROTOR AXIAL FANS)

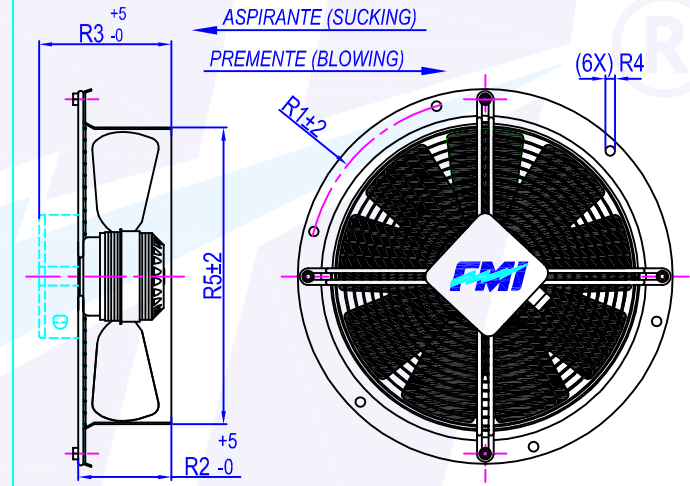
GRIGLIA (FAN GRID)



BOCCAGLIO QUADRATO (SQUARE FAN RING)

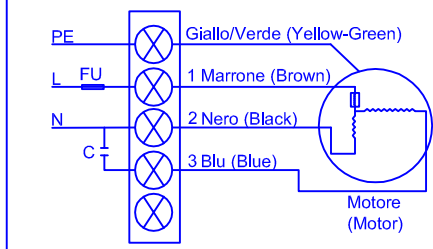


BOCCAGLIO TONDO (ROUND FAN RING)

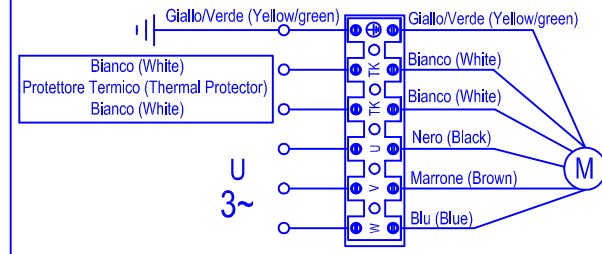


Ventola (Fan blade) Ø(mm)	G1 (mm)	G2 (mm)	G3 (mm)	G4 (mm)	G5 (mm)	Q1 (mm)	Q2 (mm)	Q3 (mm)	Q4 (mm)	Q5 (mm)	R1 (mm)	R2 (mm)	R3 (mm)	R4 (mm)	R5 (mm)	FLUSSO ARIA INDICATIVO (Suggestive air flow @ 20Pa)	DIREZIONE ARIA (Air Flow direction)
200	260	45	75	7	220	260	52	82	7	210	260	57	87	7	203	Up to 710 m ³ /h	PREMENTE (Blowing) ASPIRANTE (Sucking)
250	320	55	85	7	275	320	90	120	7	260	295	80	110	7	260	Up to 850 m ³ /h	
300	360	80	110	7	320	380	90	120	7	325	415	90	120	9	320	Up to 1970 m ³ /h	
350	422	80	110	9,5	370	435	90	120	10	360	442	95	125	9	370	Up to 2090 m ³ /h	
400	470	90	120	9,5	420	490	110	140	10	410	504	110	140	9	420	Up to 3150 m ³ /h	
450	522	90	120	9,5	470	535	110	140	10	460	578	110	140	9	470	Up to 4450 m ³ /h	
500	570	90	120	10,5	520	615	115	145	10	510	-	-	-	-	-	Up to 6300 m ³ /h	
550	622	100	130	10,5	570	670	115	145	10	575	-	-	-	-	-	Up to 8330 m ³ /h	
600	679	100	130	10,5	620	-	-	-	-	-	-	-	-	-	-	Up to 10500 m ³ /h	
630	750	100	130	10,5	650	750	125	155	10	645	-	-	-	-	-	Up to 11750 m ³ /h	
710	840	175	205	13	770	810	-	265	11	-	-	-	-	-	-	Up to 15060 m ³ /h	
800	920	175	205	13	857	910	-	265	14,5	830	-	-	-	-	-	Up to 19000 m ³ /h	

Monofase (Single Phase) - (PSC)



Trifase -(Three Phase) - (Y)



Trifase - doppia tensione (Three Phase - Dual Voltage)

