



Push-button switches



SPM Series


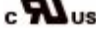



Snap-in cut out - 11X15
ENEC electrical rating up to 16A

- Master switch for household appliances
- Easy mounting
- Reliable and resistant
- Applications: white goods

Products

Customising on demand

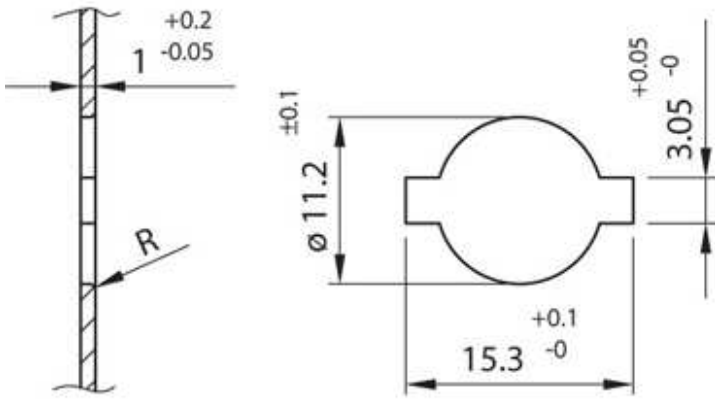
Electrical features

ENEC electrical rating up to	16A
Electro-mechanical cycles number up to	50.000
Room temperature up to	125 °C
Flammability	UL 94 V2
Heat and fire resistance	GWFI 850 °C GWIT 750 °C
Contact gap	≥ 3 mm
Approvals available (to check according to the rating of each single material code)	    
Reference standards	EN 61058 UL 1054

Wiring diagrams

- Double-pole momentary switch
- Double-pole switch
- Double-pole two-way momentary switch
- Double-pole two-way switch
- Normally closed double-pole momentary switch
- Normally closed double-pole switch
- Single-pole momentary switch
- Single-pole switch

Cut out (mm)



Stampa scheda