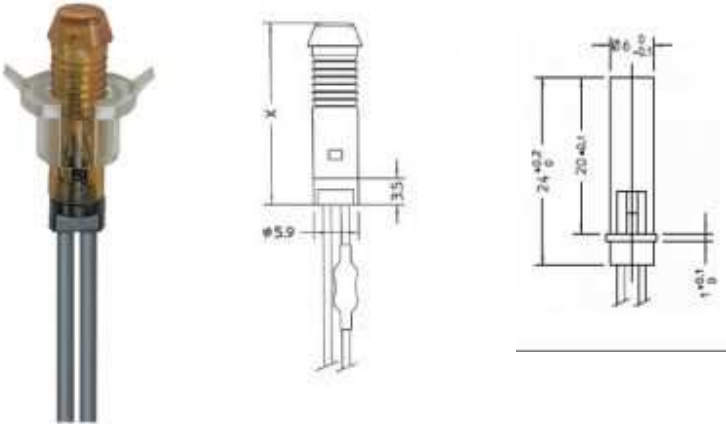


Signal lights: Signal lights Cut-out Ø 6 | SX24



Hole

Ø 6



Wiring diagrams	Approvals	Connections
<p>with Led A.C. current including ballast and diode</p> <p>with Led A.C. current including ballast and diode</p> <p>with Led D.C. current or A.C. low voltage including ballast</p> <p>with incandescent lamp</p> <p>with neon or fluorescent lamp and ballast</p> <p>with neon or fluorescent lamp</p>		

Temperature: From T75° C to T150° C according to the version

Colour: Red, orange, green, blue, colourless. Other colours available on customer's request

Wire ends and connectors: PVC or silicone cables, available pre-stripped wires end 6,5 mm or with clamped connectors

Light source : LED: available for every voltage;

Incandescence: 12V - 24V;

Neon: from 125V.

Stampa scheda