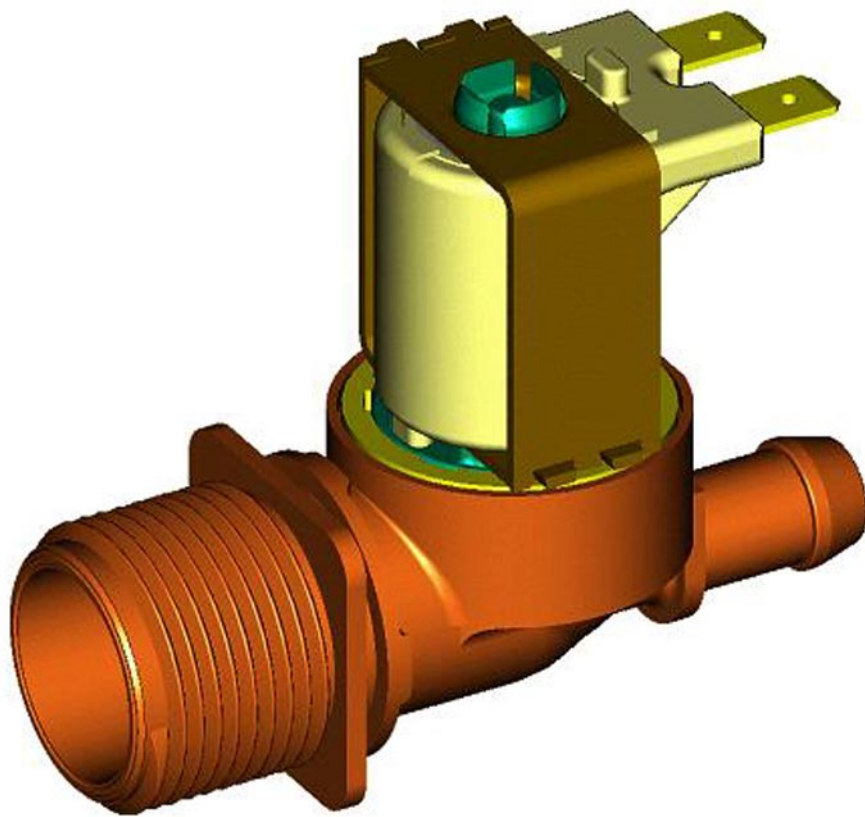
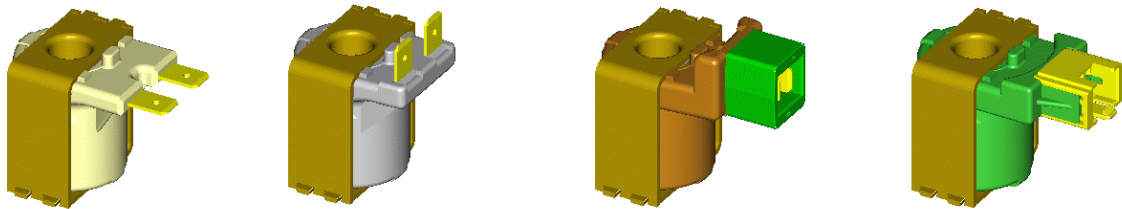
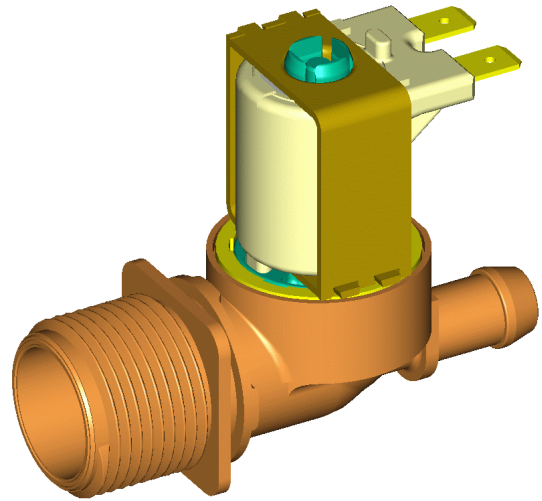
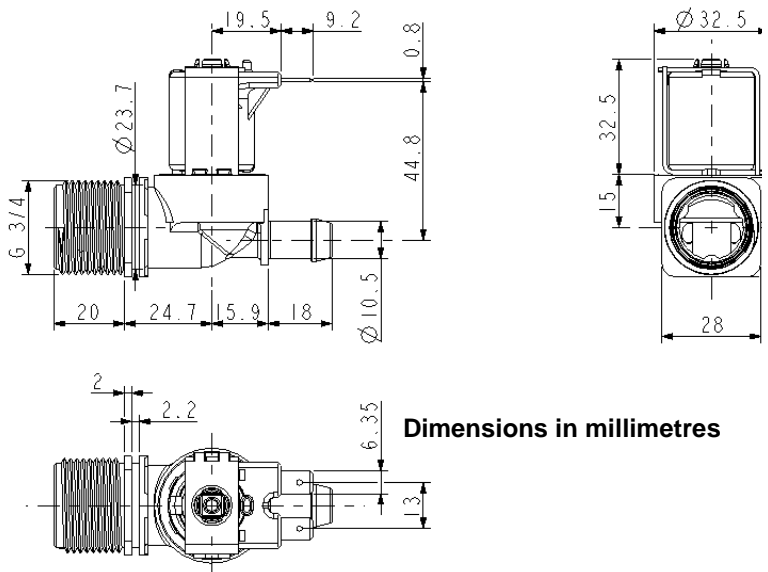


# V1 Solenoid Valve



# THE V18 SERIES SOLENOID VALVE

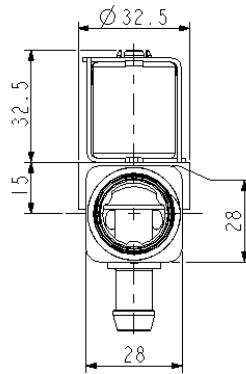
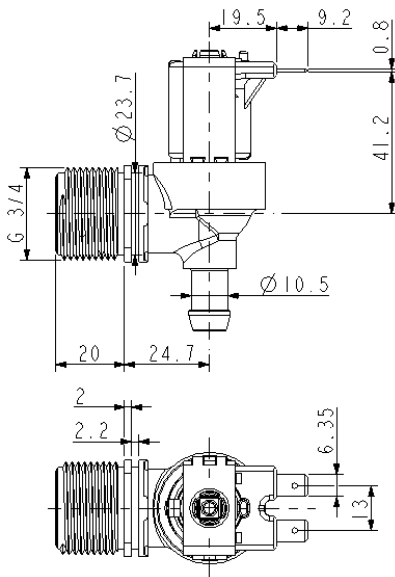


Part of an extensive line of pilot operated solenoid valves for use in clothes washers, dishwashers, showers, air conditioning systems and other domestic or commercial applications.

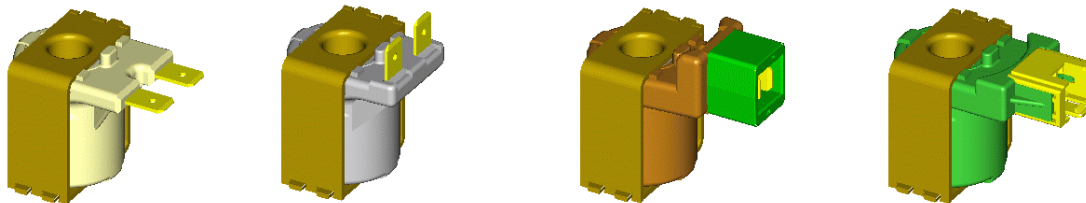
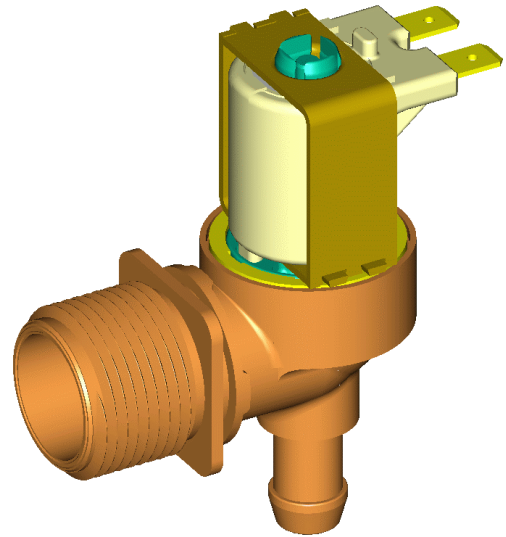
Fully flexible and designed and produced to meet the stringent requirements of the markets of today and the future.

Rated Voltage :	220-240 vac, 110-120 vac, 24 vac & 12 vac. Others upon request.
Rated Frequency :	50-60 Hz
Power Draw :	6 Watts. (3 Watt DC servo-assisted - optional) at 230vac
Coil Insulation :	Class F (140°C Operating Temperature)
Ambient Temperature :	60 °C maximum.
Liquid Temperature :	90°C maximum.
Operating Cycle Rate :	Tu 25°C, Tm 90°C & Tu 60°C, Tm 25°C - Continuous (100% ED) Tu 60°C, Tm 90°C - 3minutes ON, 5 minutes OFF
Operating Pressure Range :	0.2 to 10 bar
Flow Regulator (Optional) :	0.25 to 17 Litres/minute
EMC :	Fully compliant
Approvals :	Approved by all Major Approvals Agencies World-wide. EN 60 730-2-8, UL 429, CSA C22.2 etc.
Insulation :	Class II. Fully double insulated. No grounding required.
Terminals :	Two 6.35 x 0.8 mm male tab terminals. RAST 5 and RAST 2.5 Optional.

# THE V19... SERIES SOLENOID VALVE



Dimensions in millimetres



Part of an extensive line of pilot operated solenoid valves for use in clothes washers, dishwashers, showers, air conditioning systems and other domestic or commercial applications.

Fully flexible and designed and produced to meet the stringent requirements of the markets of today and the future.

Rated Voltage :	220-240 vac, 110-120 vac, 24 vac & 12 vac. Others upon request.
Rated Frequency :	50-60 Hz
Power Draw :	6 Watts. (3 Watt servo-assisted - optional) at 230vac
Coil Insulation :	Class F (140°C Operating Temperature)
Ambient Temperature :	60 °C maximum.
Liquid Temperature :	90°C maximum.
Operating Cycle Rate :	Tu 25°C, Tm 90°C & Tu60°C, Tm 25°C - Continuous (100% ED) Tu 60°C, Tm 90°C - 3minutes ON, 5 minutes OFF
Operating Pressure Range :	0.2 to 10 bar
Flow Regulator (Optional) :	0.25 to 17 Litres/minute
EMC :	Fully compliant
Approvals :	Approved by all Major Approvals Agencies World-wide. EN 60 730-2-8, UL 429, CSA C22.2 etc.
Insulation :	Class II. Fully double insulated. No grounding required.
Terminals :	Two 6.35 x 0.8 mm male tab terminals. RAST 5 and RAST 2.5 Optional.

