





FV238

**Cable clamp.
For snap-in fixing on chassis**



TECHNICAL DATA

	IEC Standards			American Standards			
		A	B	C	D	E	F
Dimensions / Versions mm (inches)	RO	45 (1.77)	31 (1.22)	8 (0.31)	15 (0.59)	17 (0.67)	12 (0.47)
	SQ			7 (0.28)			
Versions	RO: for round fixing holes; SQ: for square fixing holes						
Wire size	3 x 0.75 sqmm ÷ 3 x 4.0 sqmm (max. cable Ø 13 mm)			3 x 20 AWG ÷ 3 x 12 AWG (max. cable Ø 0.51")			
Working Temperature	- 5 ÷ 150°C (short time 180°C)			23 ÷ 239°F			
Plastic Material	Polyamide PA6.6 glass filled brown colour, UL94 V0, GWT 960°C						
Cable Clamp Screw	3.5 x 15 mm (0.14" x 0.60") HI-LO						

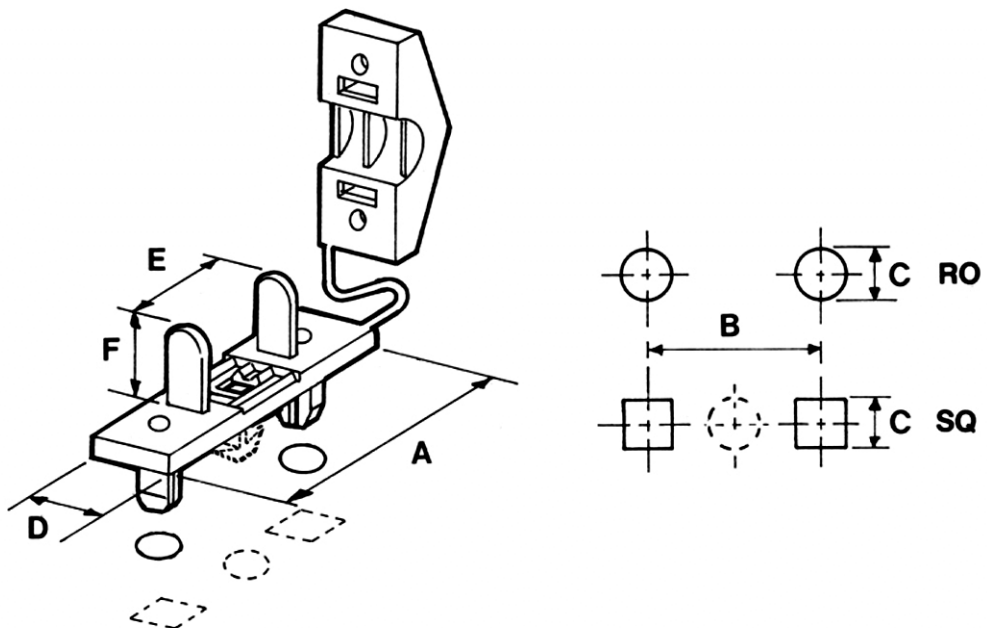
Approvals	File Nr.	Ratings (sqmm/AWG – V – A – T)	Standard References
	E 4952	Gr. 6.5/13 mm – 3 x 0.75 sqmm / 3 x 4.0 sqmm	EN 60598-1 /A1; /A12; /A13; EN 60335-1
	LR 40455	accessory, strain relief	CSA C22-2 N.158-1987; E.C.N 584B





FV238

DIMENSIONAL
DRAWING



PACKAGING

Type	P-N	Pack.	Dim. Pack. (LxHxP)	Weight (Kg)
FV 238 RO	970638	2000	40x39x40	12.5
FV 238 SQ	970639	2000	40x39x40	12.5

