







PA205

**Terminal block with integrated cable clamp and earth bracket.
For snap-in fixing on chassis**



TECHNICAL DATA

	IEC Standards				American Standards			
	A	B	C	D	E	F	G	H
Dimensions mm (inches)	31 (1.22)	2.5 (0.1)	70.3 (2.77)	Ø 3.5 (0.14)	28.5 (1.12)	26 (1.02)	18 (0.71)	14 (0.55)
Versions	3 poles							
Ratings	450V - 16A				300V - 16A			
Wire size	1.5 sqmm				18 ÷ 14 AWG			
Working Temperature	- 5 ÷ 125°C (short time 155°C)				23 ÷ 221°F			
Plastic Material	Polyamide PA6.6 black colour, UL94 V2, GWT 960°C							
Metal Parts	M4 zinc plated steel captive screw; 6.3 x 0.8 zinc plated steel tab insert; other parts made in zinc plated steel							
Protection degree (IP)	IP 30							
Cable Section	3 x 0.75 sqmm ÷ 3 x 1.5 sqmm							
Cable Clamp Screw	3.5 x 15 mm (0.14" x 0.60") HI-LO							
Accessories	PA205 X							

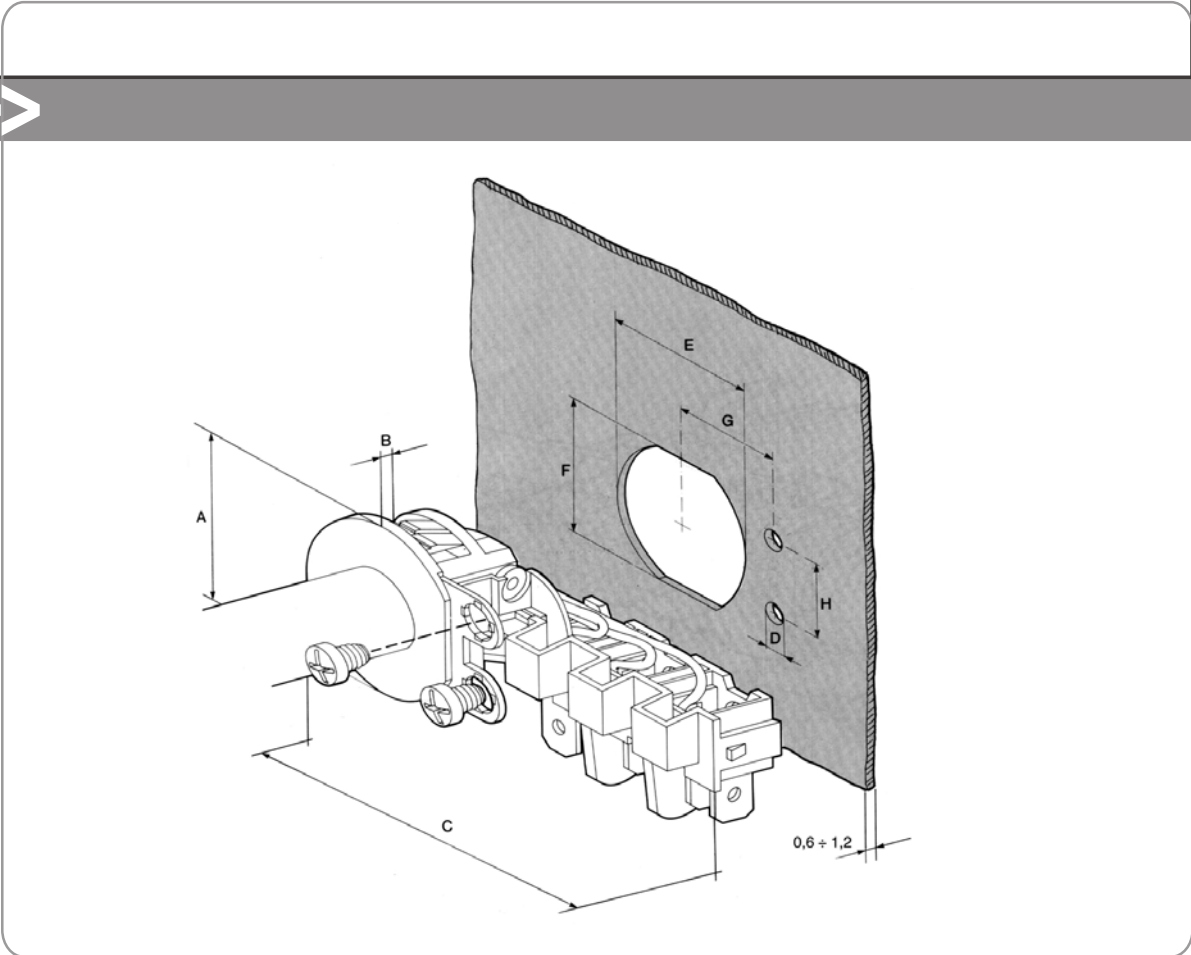
Approvals	File Nr.	Ratings (sqmm/AWG – V – A – T)	Standard References
	CA02.00717	1.5 sqmm - 450V – 16A - 125°C	EN60998-1; EN60998-2-1; EN61210; EN60335-1
	121363	1.5 sqmm - 450V – 16A - 125°C	DIN EN 60335-1, /A12, /A13, /A14; DIN EN60998-1; DIN EN60998-2-1; DIN EN61210 (VDE 0613)
	E76048 vol. 1 sec. 11	18 ÷ 14 AWG - 300V - 16A - 105 °C	UL 1059; CSA C22-2 N.158-1987
	LR 40455	18 ÷ 14 AWG - 380V - 16A	CSA C22-2 N.158-1987; E.C.N 584B





PA205

DIMENSIONAL
DRAWING



PACKAGING				
Type	P-N	Pack.	Dim. Pack. (LxHxP)	Weight (Kg)
PA 205	500250	1000	40x39x40	22.5

