







# PA84 F

**Terminal blocks with  
integrated cable clamp  
and fuse-holder.  
For snap-in fixing on chassis**



## TECHNICAL DATA

	IEC Standards			American Standards	
	A	B	C	D	E
<b>Dimensions</b> mm (inches)	26 (1.02)	23 (0.91)	2.5 (0.10)	87.5 (3.45)	29 (1.14)
<b>Versions</b>	2 poles – SV: without mounted screws, CV: with mounted screws				
<b>Ratings</b>	450V - 10A (fuse limit)			300V - 16A	
<b>Wire size</b>	1.5 sqmm			18 ÷ 14 AWG	
<b>Working Temperature</b>	- 5 ÷ 110°C (70°C fuse temperature limits)			23 ÷ 221°F	
<b>Plastic Material</b>	Polyamide PA6.6 black colour, UL94 V2, GWT 960°C				
<b>Metal Parts</b>	M4 zinc plated steel screw; 6.3 x 0.8 zinc plated steel tab insert; other parts made in zinc plated steel				
<b>Protection degree (IP)</b>	IP 30 (after installation)				
<b>Cable Section</b>	3 x 0.75 sqmm ÷ 3 x 1.5 sqmm				
<b>Cable Clamp Screw</b>	3.5 x 15 mm ( 0.14" x 0.60") HI-LO				

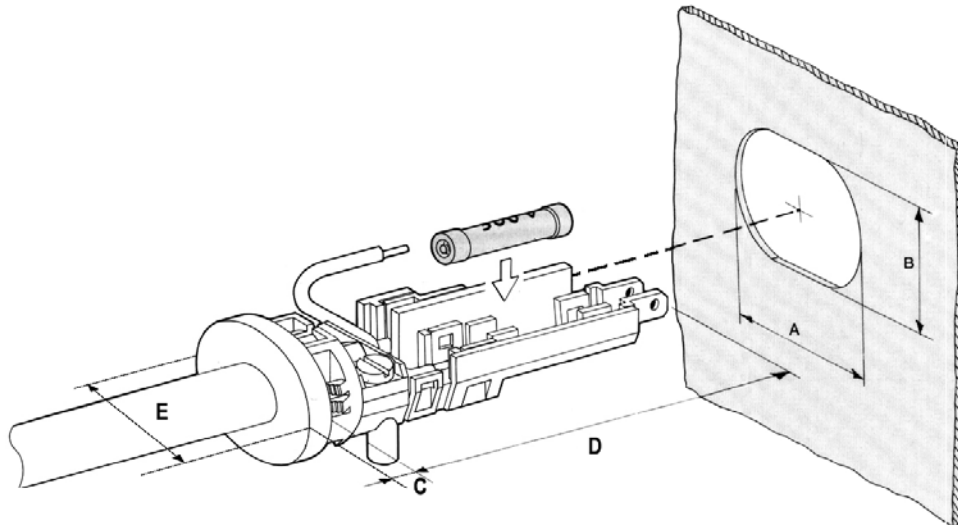
Approvals	File Nr.	Ratings (sqmm/AWG – V – A – T)	Standard References
	CA02.00171	1.5 sqmm - 450V – 70°C (fuse temperature limits)	EN 60998-1; EN 60998-2-1; EN 61210; EN60335-1; EN 60127-6
	130256	1.5 sqmm - 450V - 10A – 110°C	DIN EN 60335-1, /A12, /A13, /A14; DIN EN 60998-1; DIN EN 60998-2-1; DIN EN 61210 (VDE 0613)
	E76048 vol. 1 sec. 11	18 ÷ 14 AWG - 300V - 16A - 105 °C	UL 1059; CSA C22-2 N.158-1987
	LR 40455	18 ÷ 14 AWG - 380V - 16A	CSA C22-2 N.158-1987; E.C.N 584B





# PA84 F

DIMENSIONAL  
DRAWING



PACKAGING				
Type	P-N	Pack.	Dim. Pack. (LxHxP)	Weight (Kg)
PA 84 F SV (without screw)	500040	700	40x39x40	13.4
PA 84 F CV (with screw)	500041	700	40x39x40	13.4

