



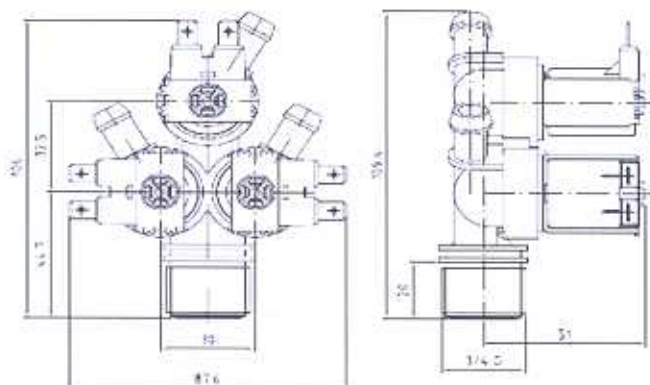
componenti per elettrodomestici



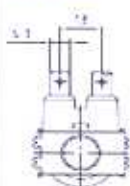
## THREE WAY INLET VALVE

TIPO ET 180/88

ET 180/88

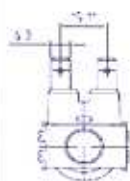


### Coils



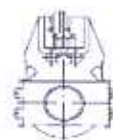
220/240V 50-60Hz 8VA  
220/240V 50-60Hz 8VA RNF  
12V 50-60Hz  
12V DC  
24V 50-60Hz  
24V DC

0.2 - 10 bar 10.02 - 1Mpa  
T60°C Tm25°C 100% ED  
T60°C Tm50°C AB 3/5MIN



120V 60Hz

0.2 - 10 bar 10.02 - 1Mpa  
T60°C Tm25°C 100% ED  
T60°C Tm50°C AB 3/5MIN



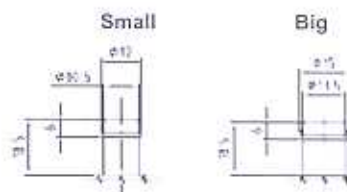
220/240V 50-60Hz 8VA  
220/240V 50-60Hz 8VA RNF  
120V 60Hz  
24V DC

0.2 - 10 bar 10.02 - 1Mpa  
T60°C Tm25°C 100% ED  
T60°C Tm50°C AB 3/5MIN

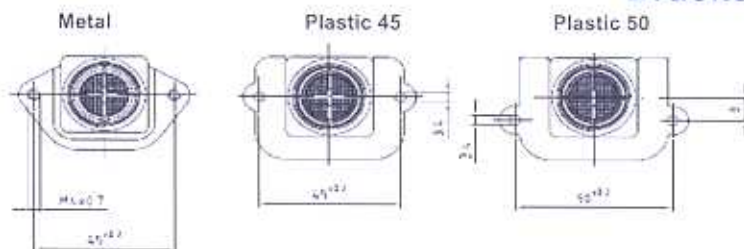
### Inlet thread



### Outlet



### Bracket



### Flow Regulators

#### INLET REGULATORS

l/min	Colour	l/min	Colour
2.5	brilliant yellow	7	light green
3	red	8	black
3.5	light blue	10	white
3.8	pink	11	orange
4	dark brown	12	blue
4.5	blue	14	green
5	violet	16	light brown
5.5	yellow	20	brilliant red
6	gray		

#### OUTLET REGULATORS

l/min	Colour	l/min	Colour
0.25	red	1.5	light brown
0.35	violet	2.5	yellow
0.5	orange	3	dark green
0.8	white	5	black
1	light blue	8	blue
1.2	dark brown		