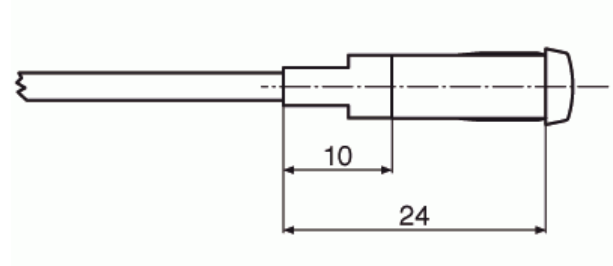


Ø 6mm

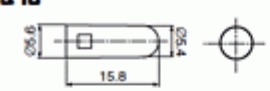

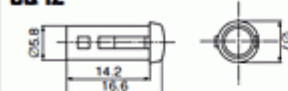
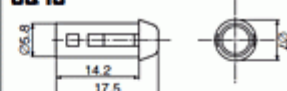
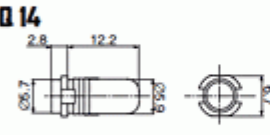
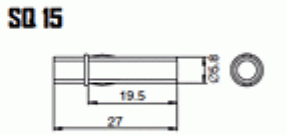
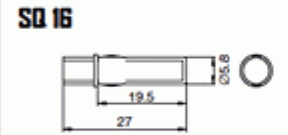
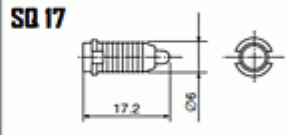
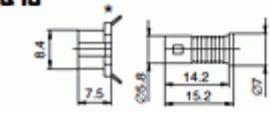
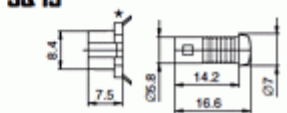
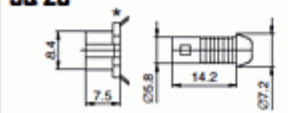
TB/06/SQ-L



The light indicator is fitted in the hole from the front of the panel.

Working voltage	6V ; 12V ; 24V ; 48V ; 110V ; 250V ; 400V
Max temperature	90°C ; 120°C ; 150°C
Hole diameter	6mm +0,2-0
Panel thickness	from 0,5mm to 2mm
Way of locking on the panel	self locking
Lamp type	incandescent lamp ; neon/fluorescent lamp ; LED lamp
Connection way	pvc cable ; silicon cable ; silicon-glass cable
Wire ends	on request
Lens type	suitable for a 6mm hole (lens type: SQ-L)
Lens – case connection	extractable
Approvals	VDE - UL/CSA - CE

Lente:

<p>SQ 10</p> 	<p>SQ 11</p> 	<p>SQ 12</p> 	<p>SQ 13</p> 
<p>SQ 14</p> 	<p>SQ 15</p> 	<p>SQ 16</p> 	<p>SQ 17</p> 
<p>SQ 18</p> 	<p>SQ 19</p> 	<p>SQ 20</p> 	<p>* Anello autobloccante - Self locking ring</p>